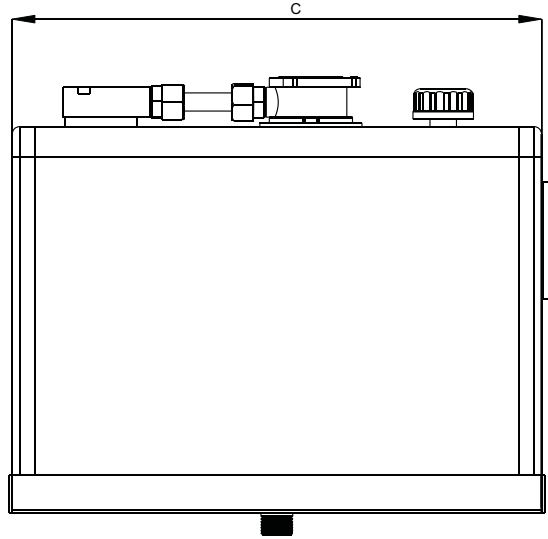
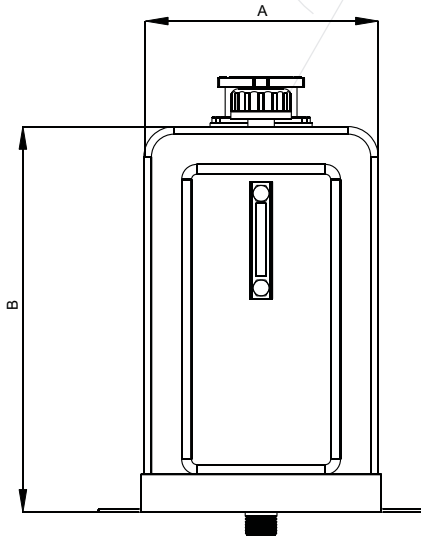
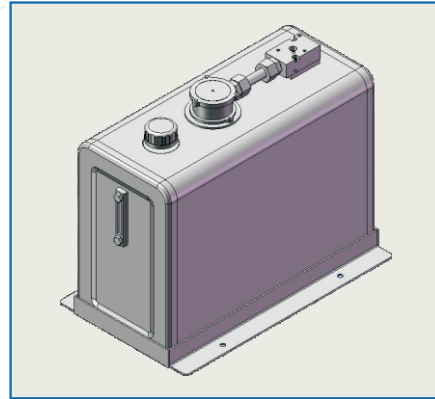




ALUMINUM OIL TANKS

ALUMİNYUM YAĞ TANKLARI

OVER CHASSIS
BEHIND CABIN



OIL TANKS
YAĞ TANKLARI

| CODE | A (cm) | B (cm) | C (cm) | TANK CAPACITY (LITRE) | WORKING CAPACITY (LITRE) |
|-----------|--------|--------|--------|-----------------------|--------------------------|
| 326506501 | 32 | 65 | 65 | 135 | 120 |
| 326509001 | 32 | 65 | 90 | 185 | 160 |
| 326511001 | 32 | 65 | 110 | 225 | 190 |
| 326512501 | 32 | 65 | 125 | 255 | 230 |
| 405007901 | 40 | 50 | 79 | 158 | 135 |
| 405008901 | 40 | 50 | 89 | 175 | 150 |
| 405009801 | 40 | 50 | 98 | 195 | 165 |
| 405011001 | 40 | 50 | 110 | 220 | 190 |
| 405012501 | 40 | 50 | 125 | 250 | 220 |