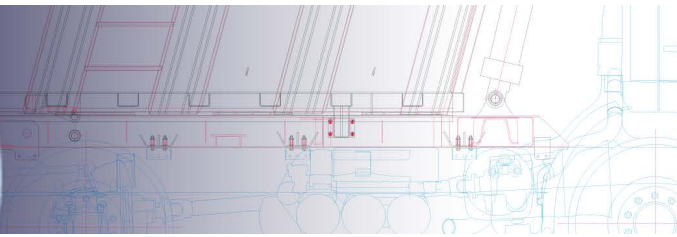


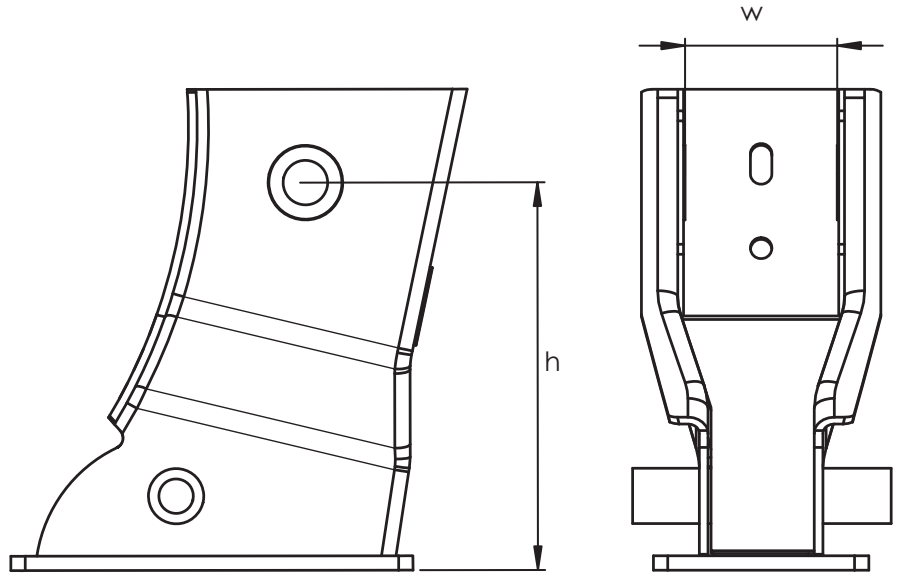
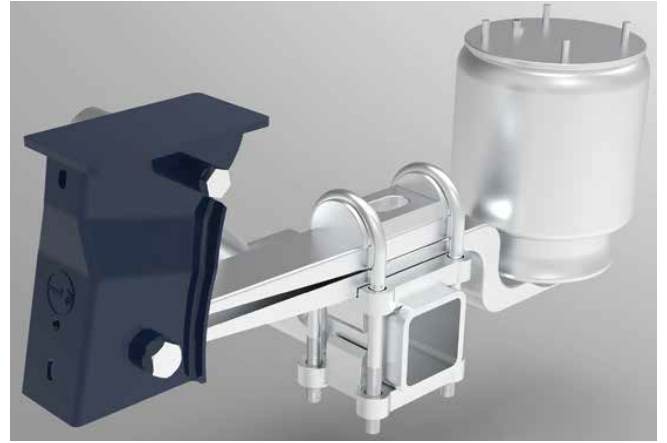
TRUCK & TRAILER BODY PARTS

AIR SUSPENSION SYSTEMS

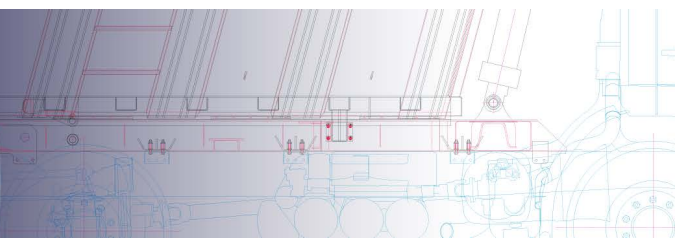




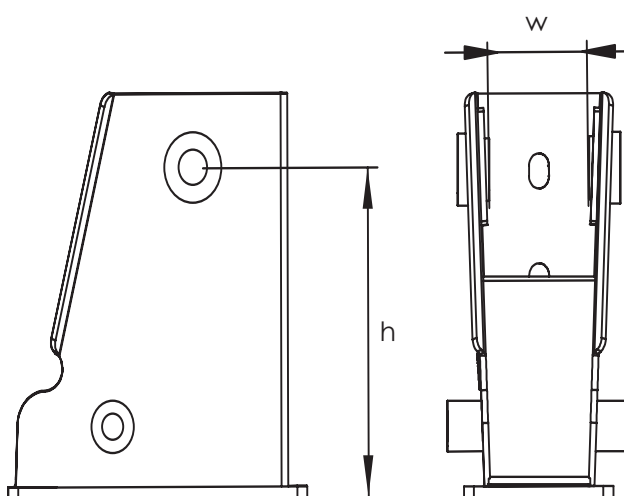
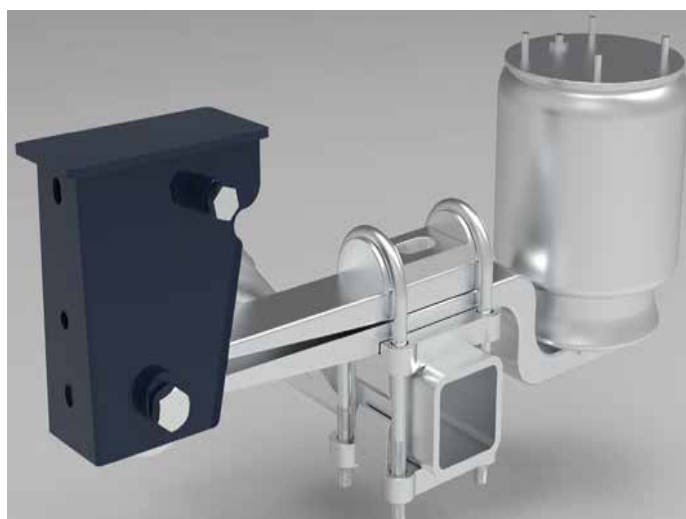
SUSPENSION SYSTEM/ AIR SUSPENSION SYSTEM/ HANGER BRACKET(6mm-8mm)



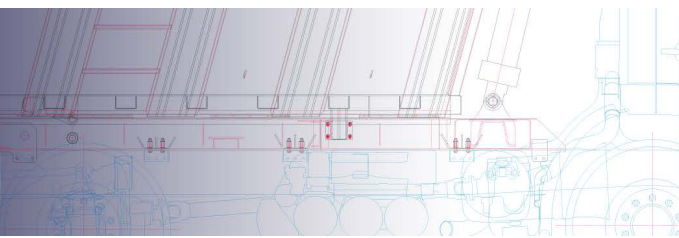
Code/ Kod	w (mm)	h (mm)
CNC 10330637	105	330
CNC 10300637	105	300
CNC 10270637	105	270
CNC BS10240637	105	240
CNC BS10200637	105	200



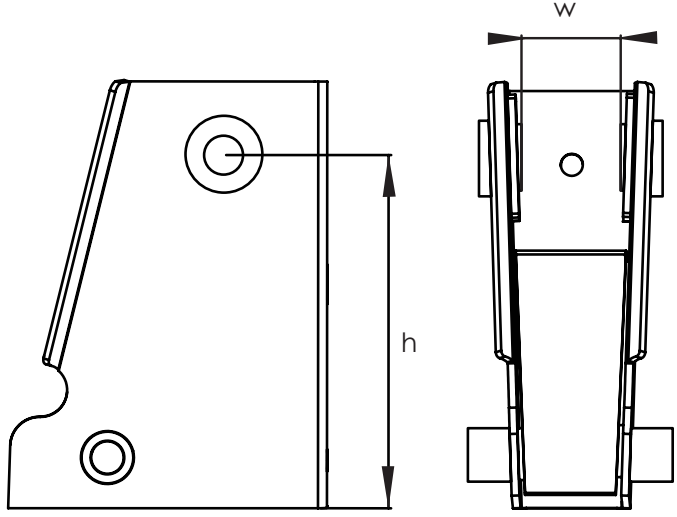
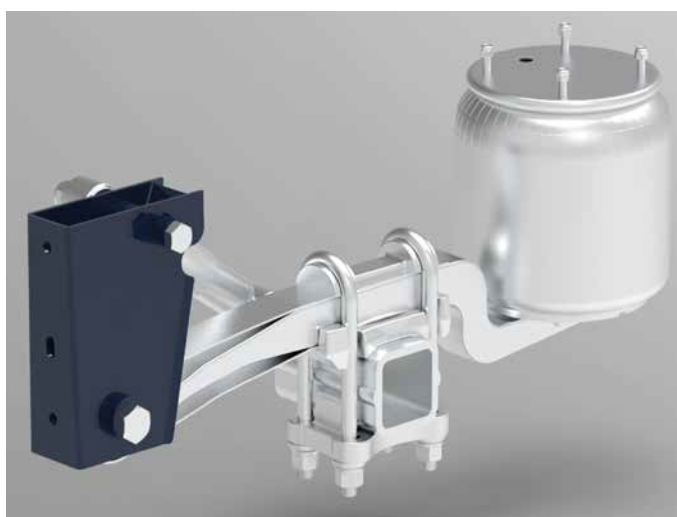
SUSPENSION SYSTEM/ AIR SUSPENSION SYSTEM/ HANGER BRACKET(8mm-10mm)



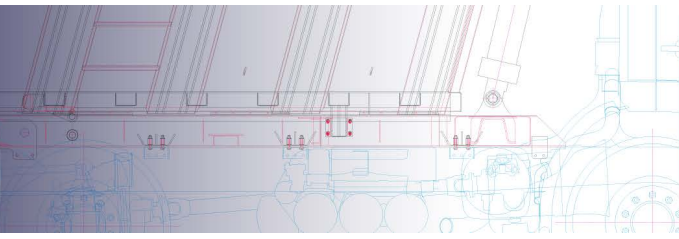
Code/ Kod	w (mm)	h (mm)
CNC 10270837	105	270
CNC 10240837	105	240
CNC 10200837	105	200



SUSPENSION SYSTEM/ AIR SUSPENSION SYSTEM/ HANGER BRACKET(6mm-8mm)



Code/ Kod	w (mm)	h (mm)
CNC 07270637	105	270
CNC 07240637	105	240
CNC 07200637	105	200



SUSPENSION SYSTEM/ AIR SUSPENSION SYSTEM/ LIFT AXLE COMPONENTS

Lift Axle Components 10

10'lu Kaldırma Aparatı

Code/ Kod

CNC 10KA30



Lift Axle Components 10 with drum

10'lu Kaldırma Aparatı (Kampanalı tip)

Code/ Kod

CNC 10KA30K



Lift Axle Components 7

7'li Kaldırma Aparatı

Code/ Kod

CNC 07KA30



Lowbed Lift Axle Components

Lowbed Kaldırma Aparatı

Code/ Kod

CNC 10LKA30



SUSPENSION SYSTEM/ AIR SUSPENSION SYSTEM/ LIFT AXLE COMPONENTS

Bushing

Yargılı Burç

Code/ Kod
CNC YKB30



Bushing

Aparat Burcu

Code/ Kod
CNC ACB30



Air Spring

Hava Körüğü

Code/ Kod
CNC HK22005



Plastic Bushing

Plastik Sarı Burç

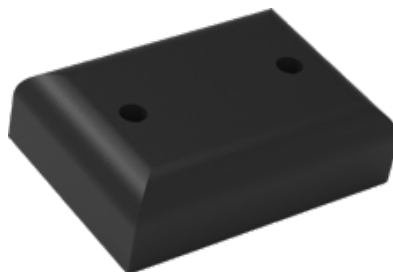
Code/ Kod
CNC APB20

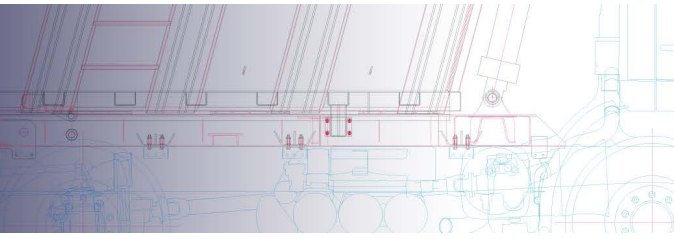


Air Spring

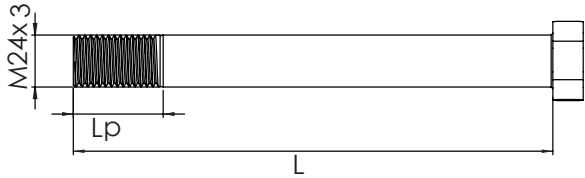
Hava Körüğü

Code/ Kod
CNC TAT10





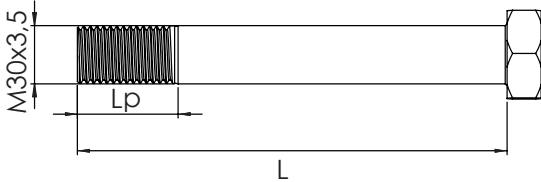
SUSPENSION SYSTEM/ AIR SUSPENSION SYSTEM/ LIFT AXLE COMPONENTS



M24 Pin

M24 Perno

Code/ Kod	L(mm)	Lp(mm)
CNC 24230	230	50
CNC 24250	250	50
CNC 24285	285	50



M30 Pin

M30 Perno

Code/ Kod	L(mm)	Lp(mm)
CNC 30150	150	50
CNC 30160	160	50
CNC 30170	170	50
CNC 30200	200	50
CNC 30240	240	50
CNC 30260	260	50

M24 Bolt Nut

M24 Somun

Code/ Kod
CNC M24F

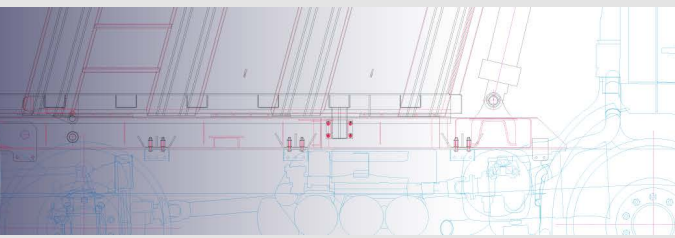


M30 Bolt Nut

M30 Somun

Code/ Kod
CNC M30F



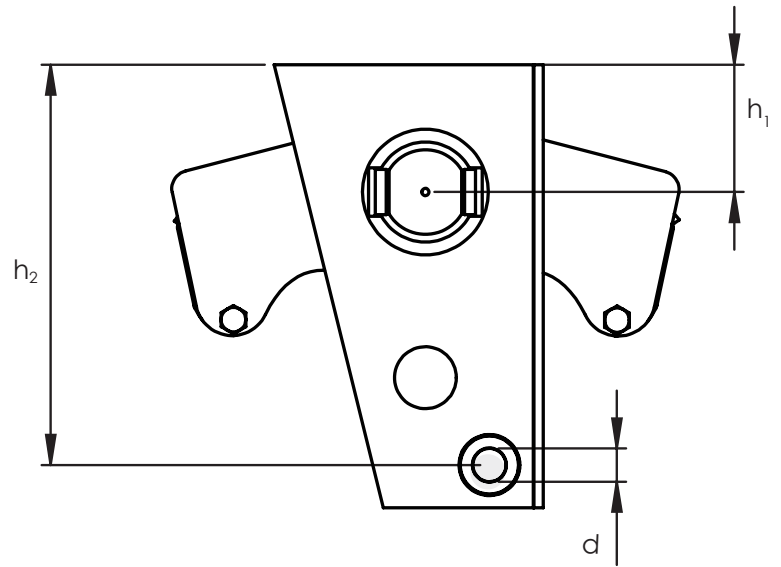
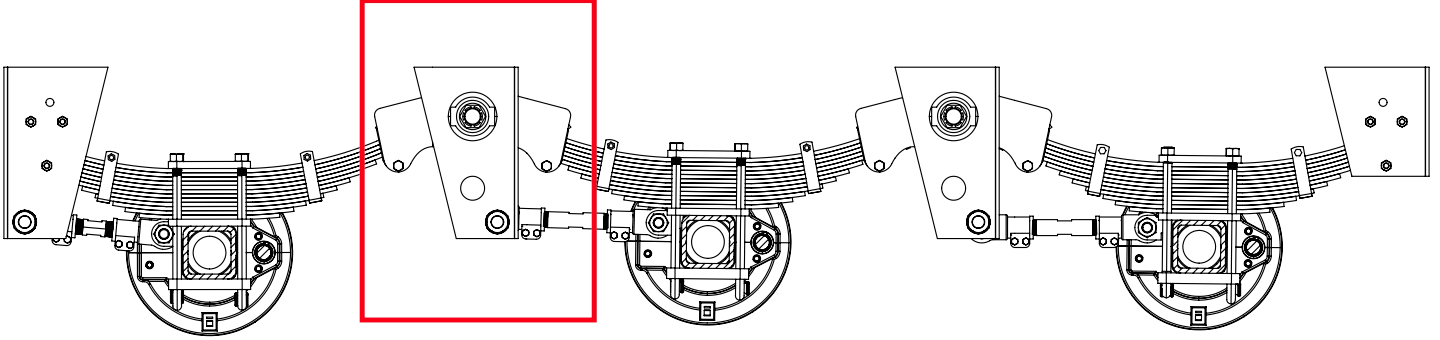


TRUCK & TRAILER BODY PARTS

MECHANICAL SUSPENSION SYSTEMS



SUSPENSION SYSTEM/ 140M MECH. SUS. SET/ EQUALIZER BRACKET(8mm-10mm)

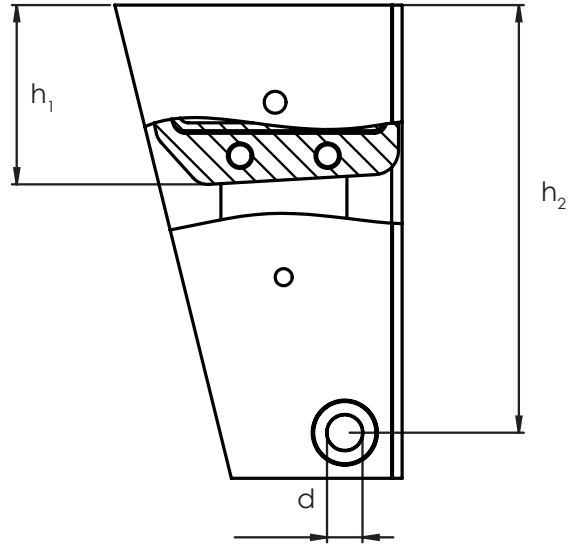
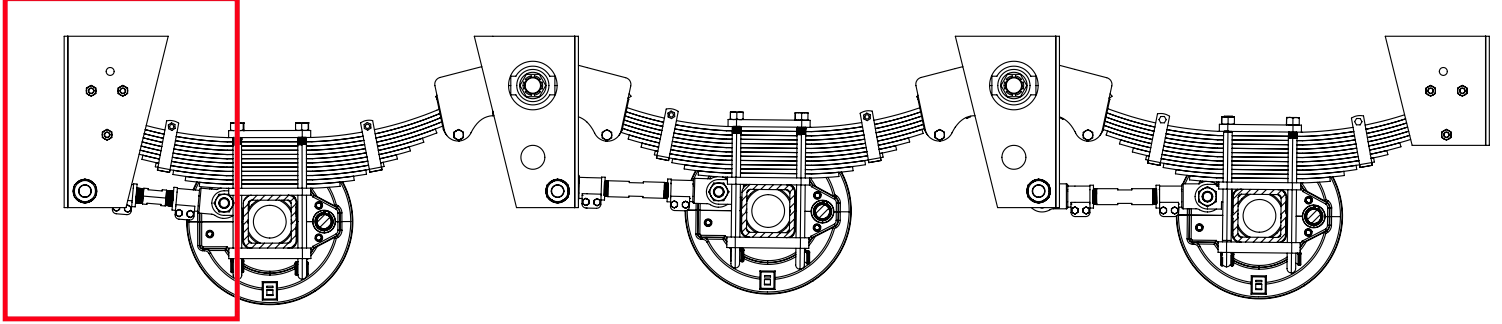


Equalizer Bracket

Beşik Kulak

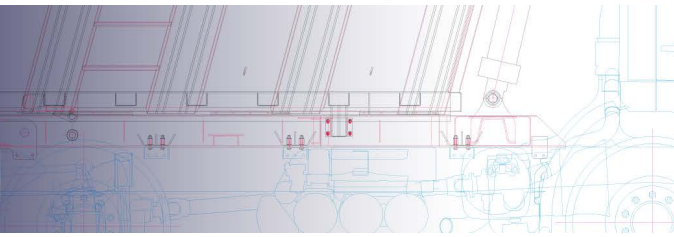
Code/ Kod	h_1 (mm)	h_2 (mm)	d (mm)
CNC MK3DT14	140	440	36

SUSPENSION SYSTEM/ 140M MECH. SUS. SET/ FRONT HANGER BRACKET

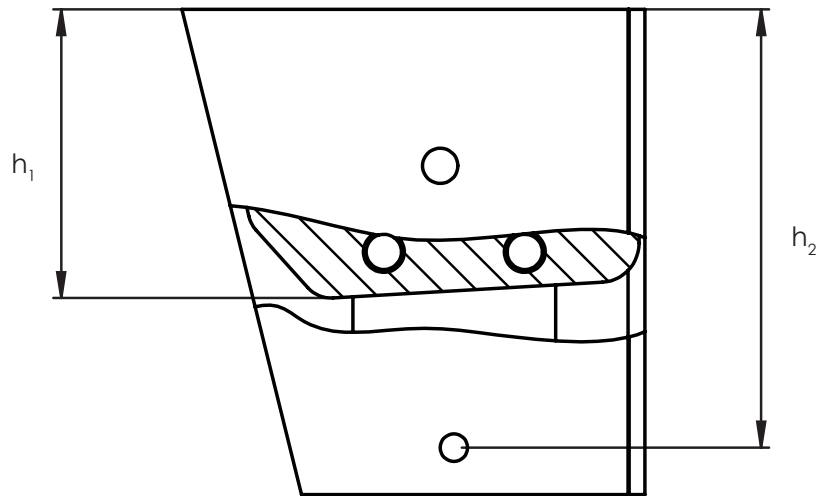
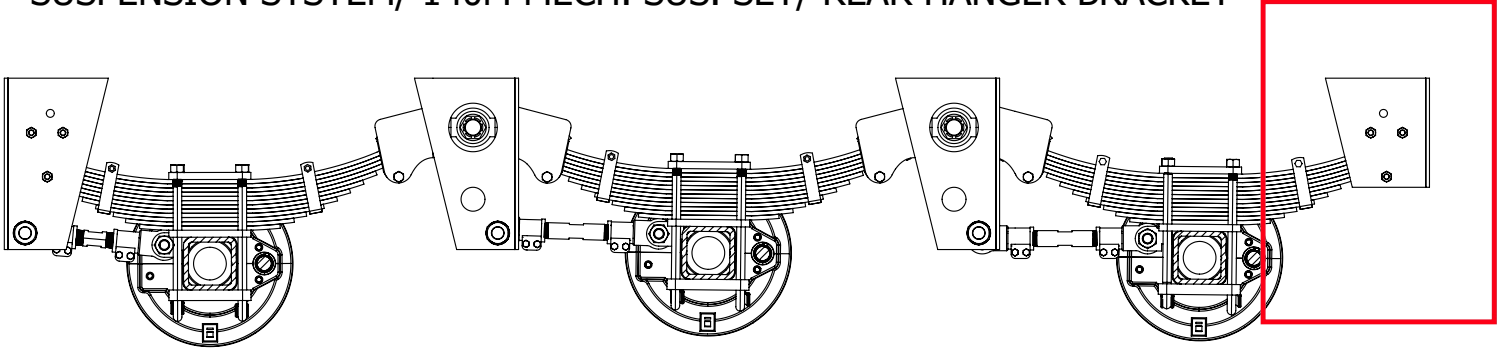


Front Hanger Bracket
Ön Çekici

Code/ Kod	h1 (mm)	h2 (mm)	d (mm)
CNC MK3DT14	440	184	36

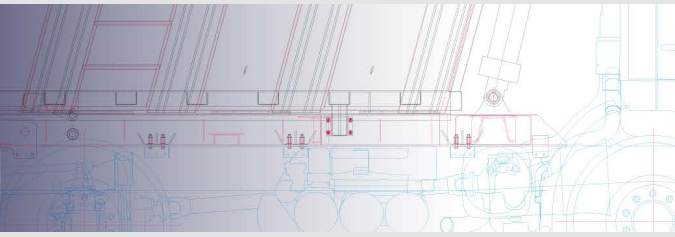


SUSPENSION SYSTEM/ 140M MECH. SUS. SET/ REAR HANGER BRACKET



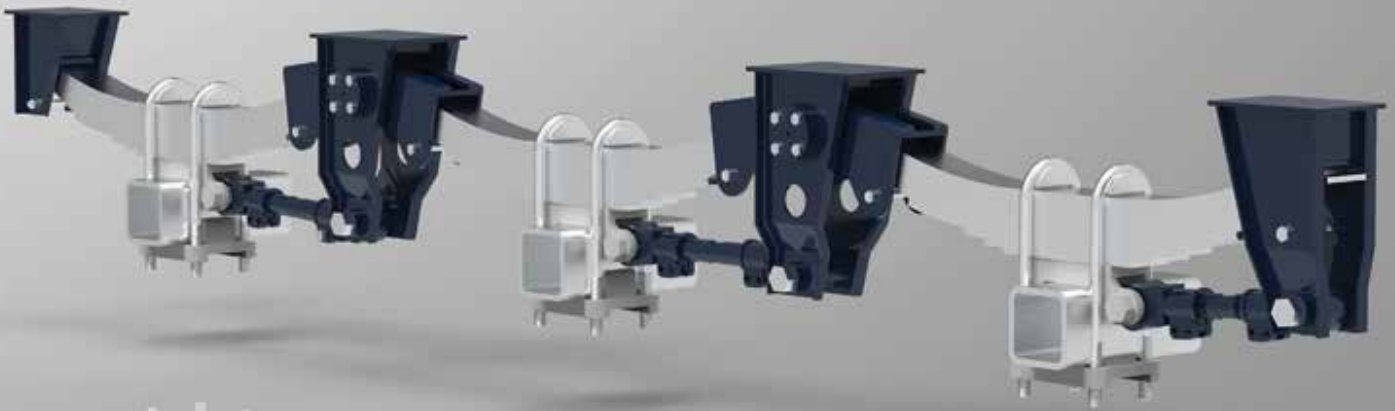
Rear Hanger Bracket
Arka Kayıcı

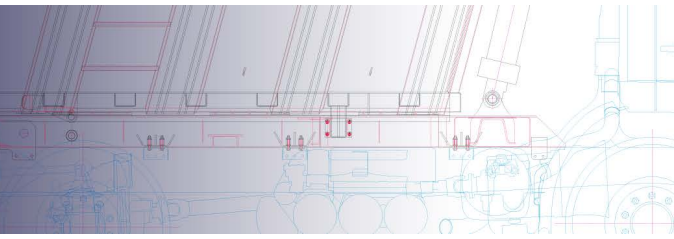
Code/ Kod	h1 (mm)	h2 (mm)
CNC MK3DT14	184	280



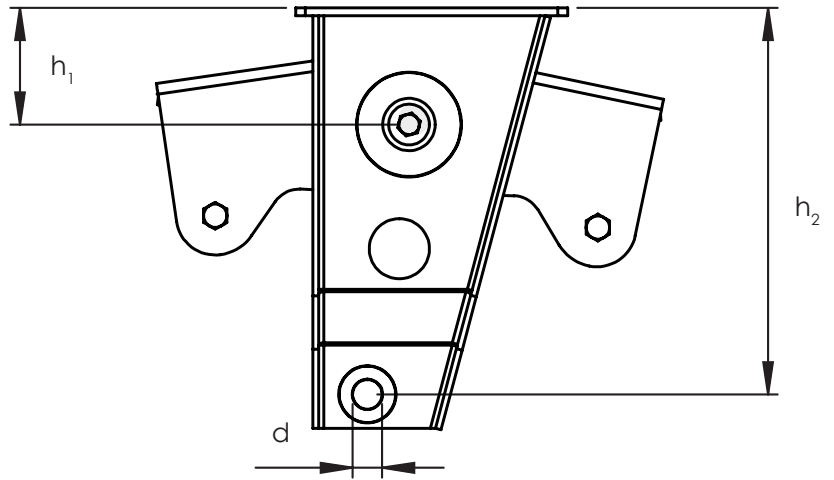
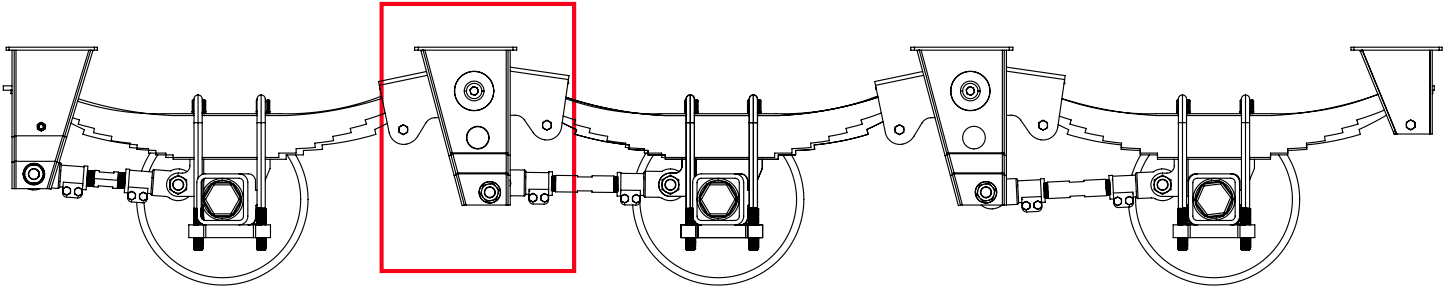
TRUCK & TRAILER BODY PARTS

MECHANICAL SUSPENSION SYSTEMS





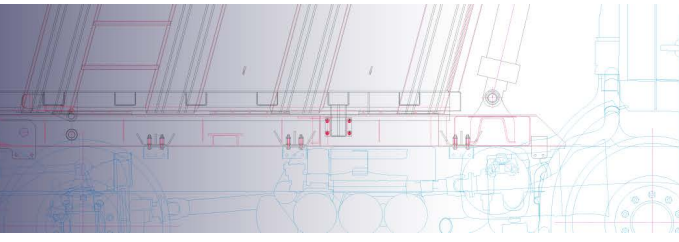
SUSPENSION SYSTEM/ 120M MECH. SUS. SET/ EQUALIZER BRACKET(6mm)



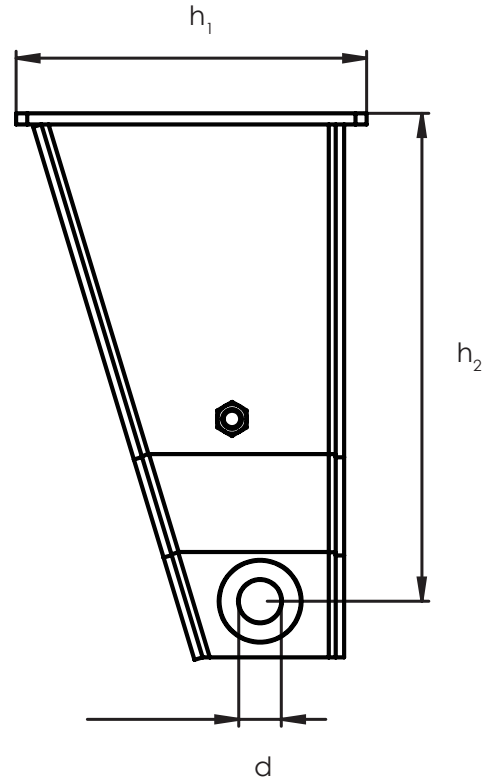
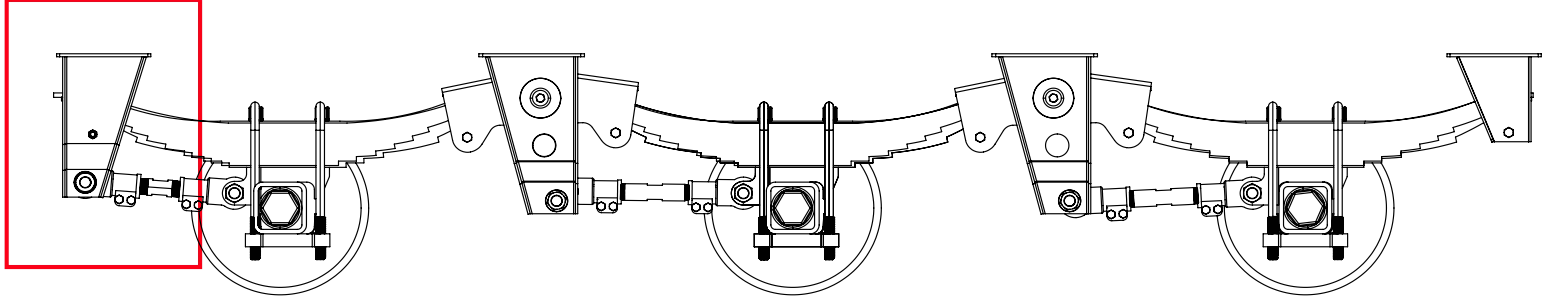
Equalizer Bracket

Beşik Kulak

Code/ Kod	h1 (mm)	h2 (mm)	d (mm)
CNC MK3DT12	120	398	30

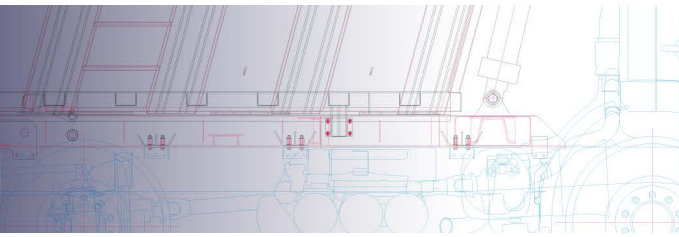


SUSPENSION SYSTEM/ 120M MECH. SUS. SET/ FRONT HANGER BRACKET

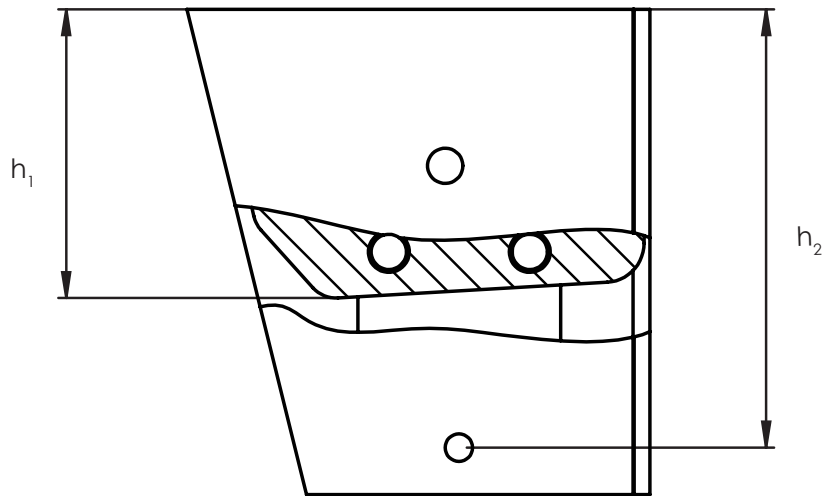
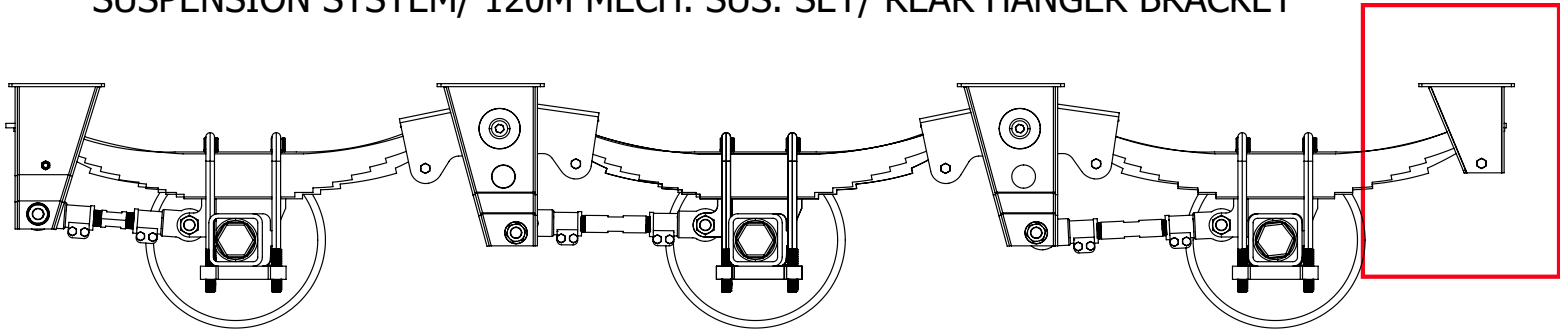


Front Hanger Bracket
Ön Çekici

Code/ Kod	h1 (mm)	h2 (mm)	d (mm)
CNC MK3DT14	250	348	30

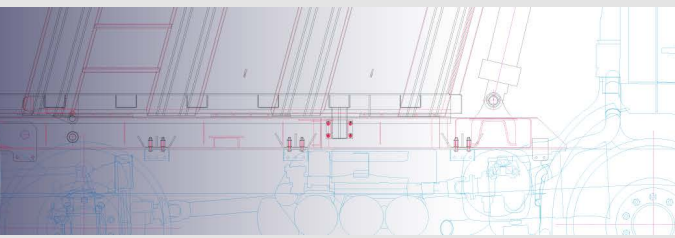


SUSPENSION SYSTEM/ 120M MECH. SUS. SET/ REAR HANGER BRACKET



Rear Hanger Bracket
Arka Kayıcı

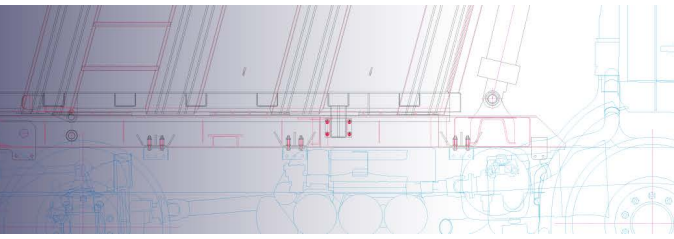
Code/ Kod	h1 (mm)	h2 (mm)
CNC MK3DT12	138	250



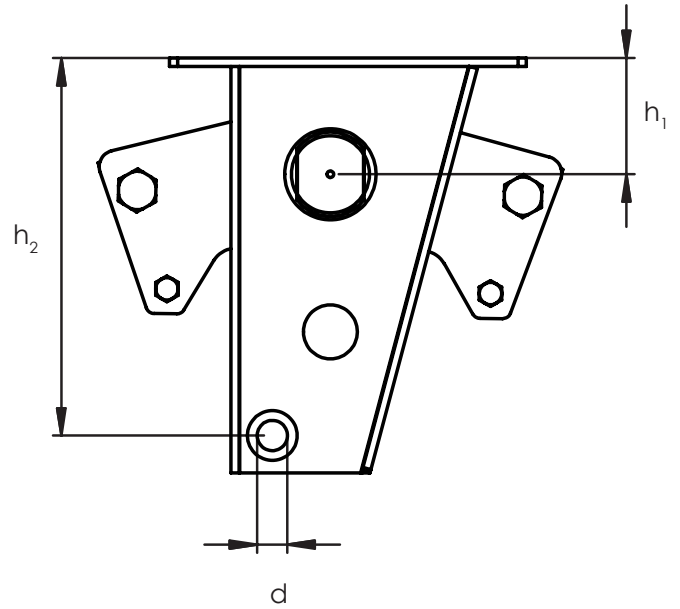
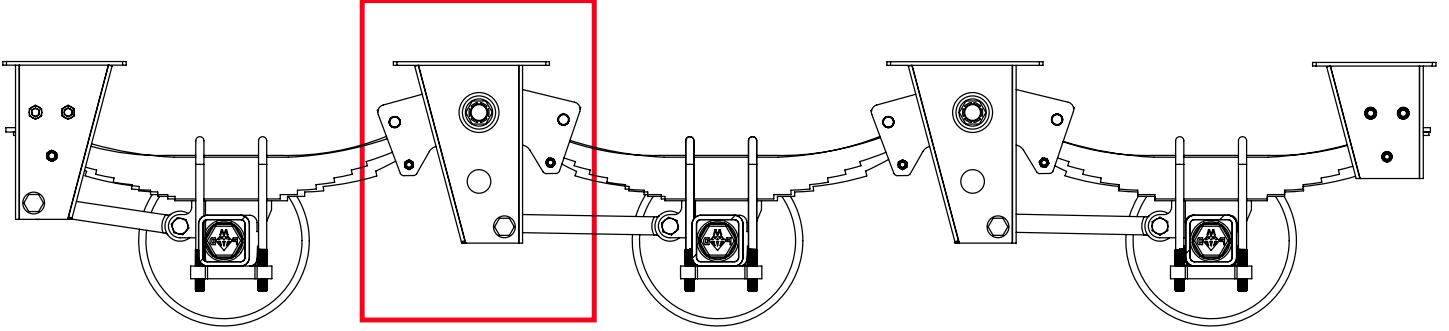
TRUCK & TRAILER BODY PARTS

MECHANICAL SUSPENSION SYSTEMS





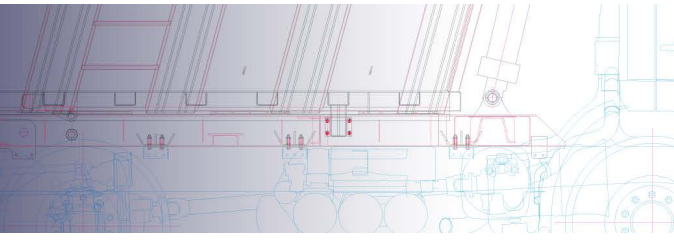
SUSPENSION SYSTEM/ 140M MECH. SUS. SET/ EQUALIZER BRACKET(8mm-10mm)



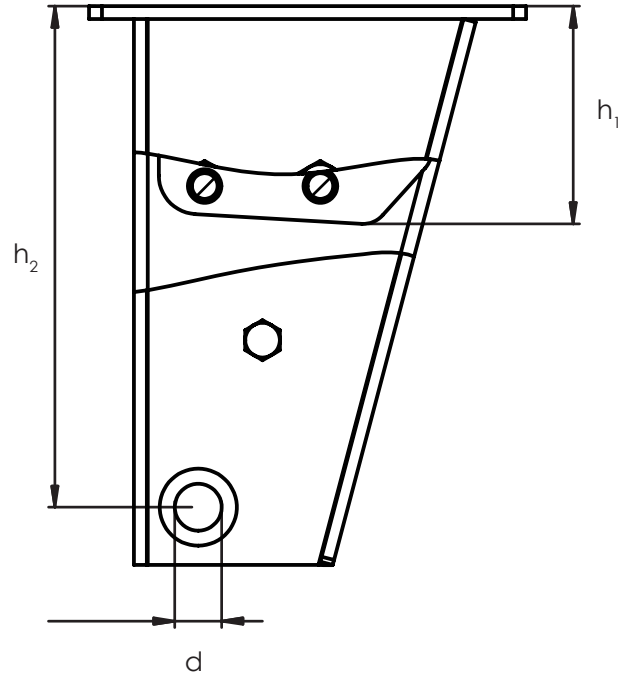
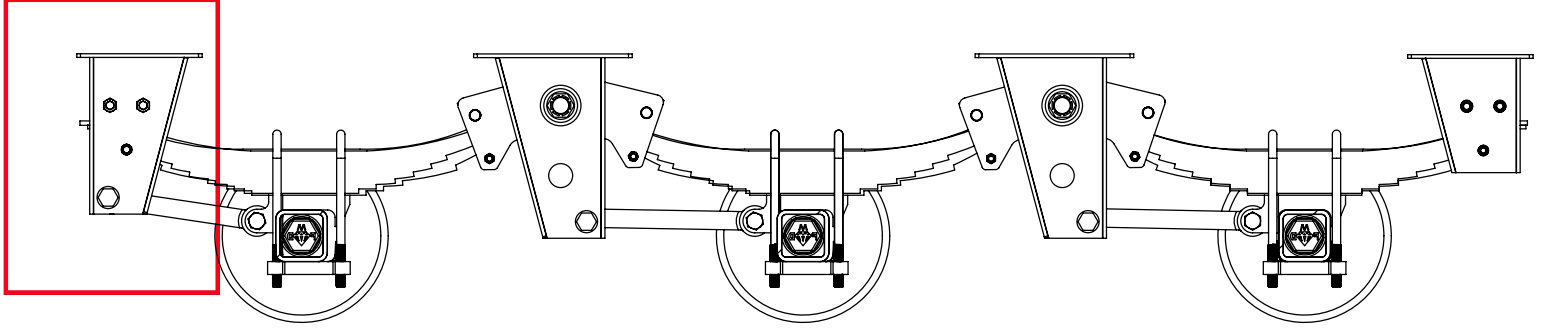
Equalizer Bracket

Beşik Kulak

Code/ Kod	h1 (mm)	h2 (mm)	d (mm)
CNC EMK3DT14	140	455	36

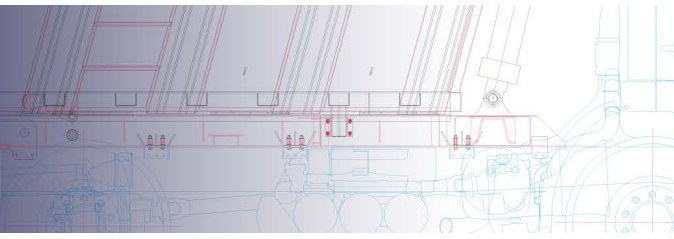


SUSPENSION SYSTEM/ 140M MECH. SUS. SET/ FRONT HANGER BRACKET

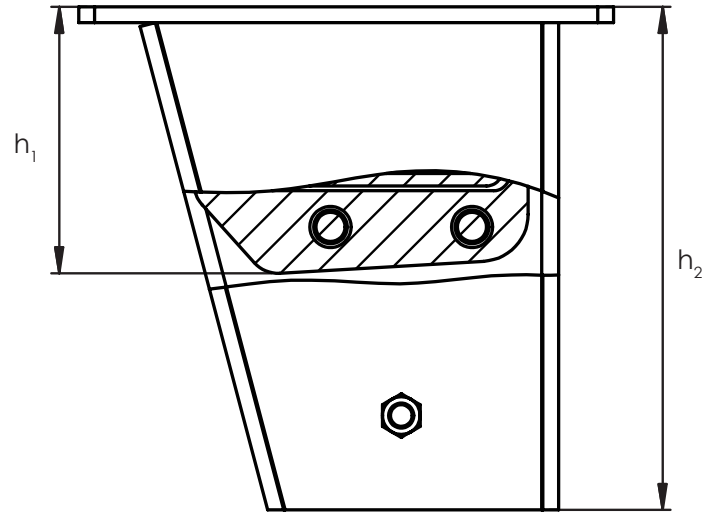
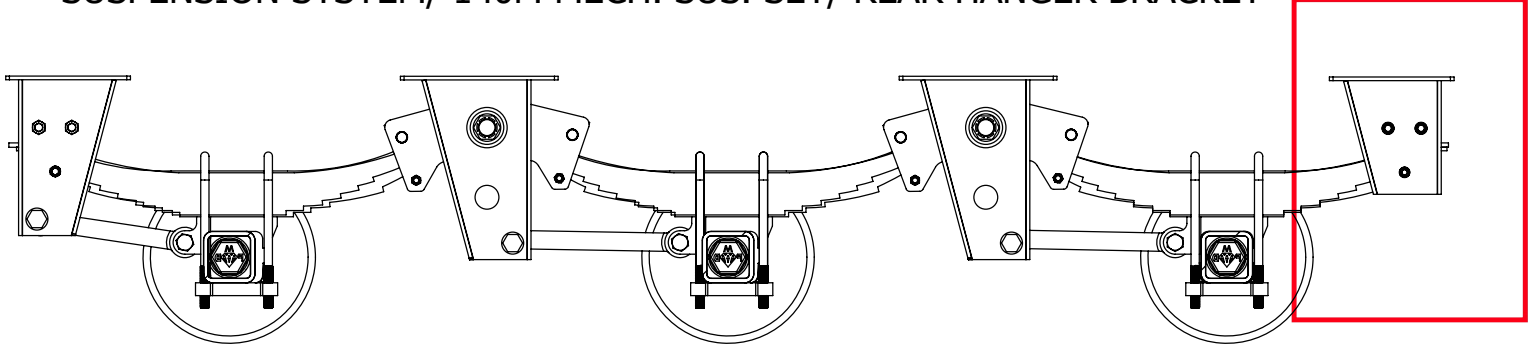


Front Hanger Bracket
Ön Çekici

Code/ Kod	h1 (mm)	h2 (mm)	d (mm)
CNC MK3DT14	170	390	36



SUSPENSION SYSTEM/ 140M MECH. SUS. SET/ REAR HANGER BRACKET



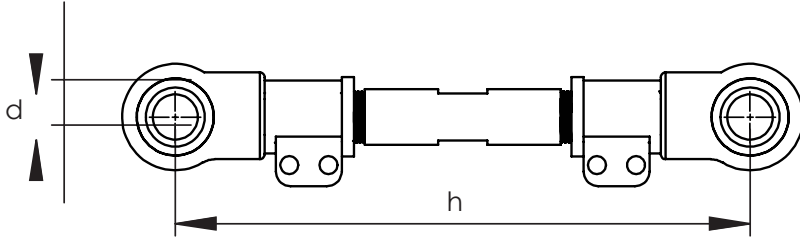
Rear Hanger Bracket
Arka Kayıcı

Code/ Kod	h1 (mm)	h2 (mm)
CNC EMK3DT14	170	320

SUSPENSION SYSTEM/ 140M MECH. SUS. SET/ OTHER COMPONENTS

Adjustable Bogie Arm

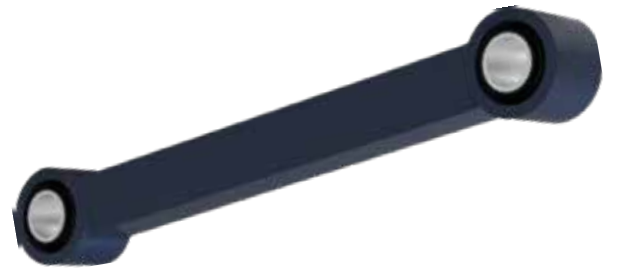
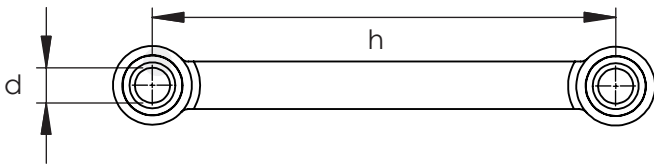
Ayarlı Bugi Kolu



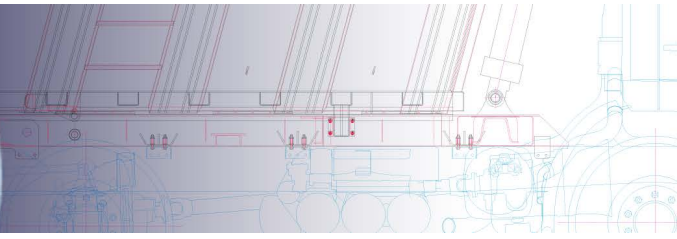
Code/ Kod	h (mm)	d (mm)
CNC ABK301	370-410	30
CNC ABK302	460-500	30
CNC ABK361	370-410	36
CNC ABK362	460-500	36

Stable Bogie Arm

Sabit Bugi Kolu



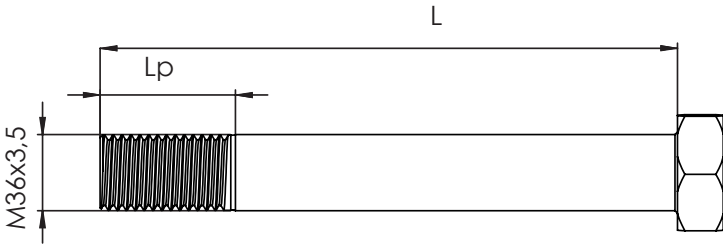
Code/ Kod	h (mm)	d (mm)
CNC SBK301	390	30
CNC SBK302	480	30
CNC SBK361	390	36
CNC SBK362	480	36



SUSPENSION SYSTEM/ 140M MECH. SUS. SET/ OTHER COMPONENTS

M36 Pin

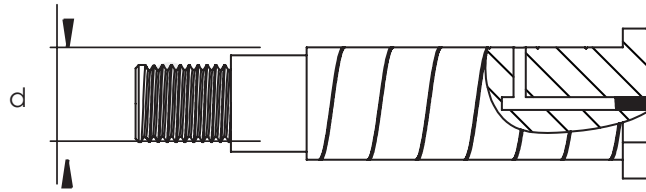
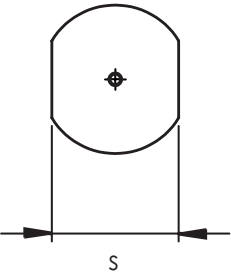
M36 Perno



Code / Kod	L (mm)	Lp (mm)
CNC M36155	155	50
CNC M36185	185	50
CNC M36210	210	50

Mechanical Suspension Equalizer Pin

Yıgma Makas Beşik Pernosu



Code / Kod	d (mm)	s (mm)
CNC M9570	70	80

SUSPENSION SYSTEM/ 140M MECH. SUS. SET/ OTHER COMPONENTS

Rubber Bushing

Kauçuk Burç



Code / Kod

CNC RB36

Wedge

Döküm Takoz



Code / Kod

CNC WDT90

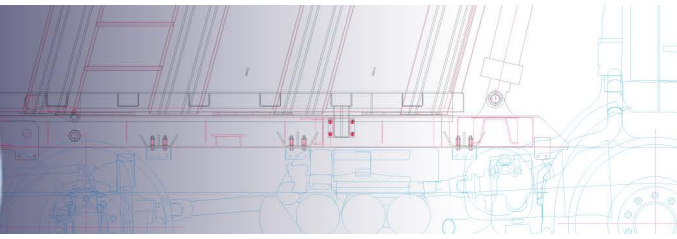
M36 Bolt Nut

M36 Somun



Code / Kod

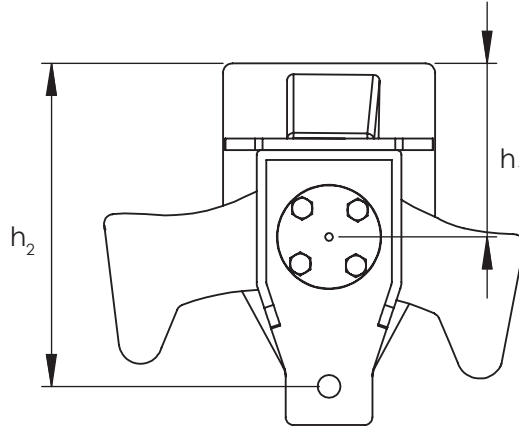
CNC M36F



SUSPENSION SYSTEM/ 140M MECH. SUS. SET/ SPARE PARTS

Isuzu Equalizer Bracket

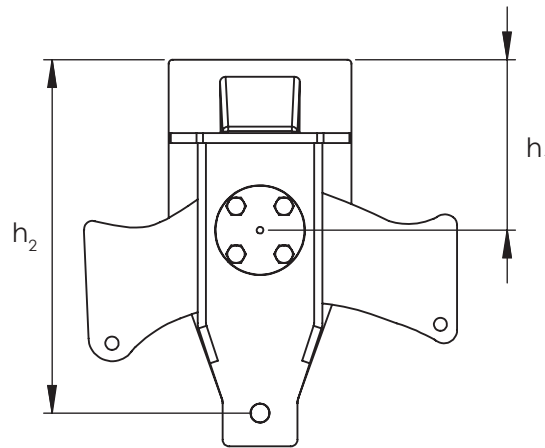
Isuzu Beşik Kulak



Code/ Kod	h1(mm)	h2(mm)
CNC IB180	180	335

Atego Equalizer Bracket

Atego Beşik Kulak



Code/ Kod	h1(mm)	h2(mm)
CNC AB205	205	425