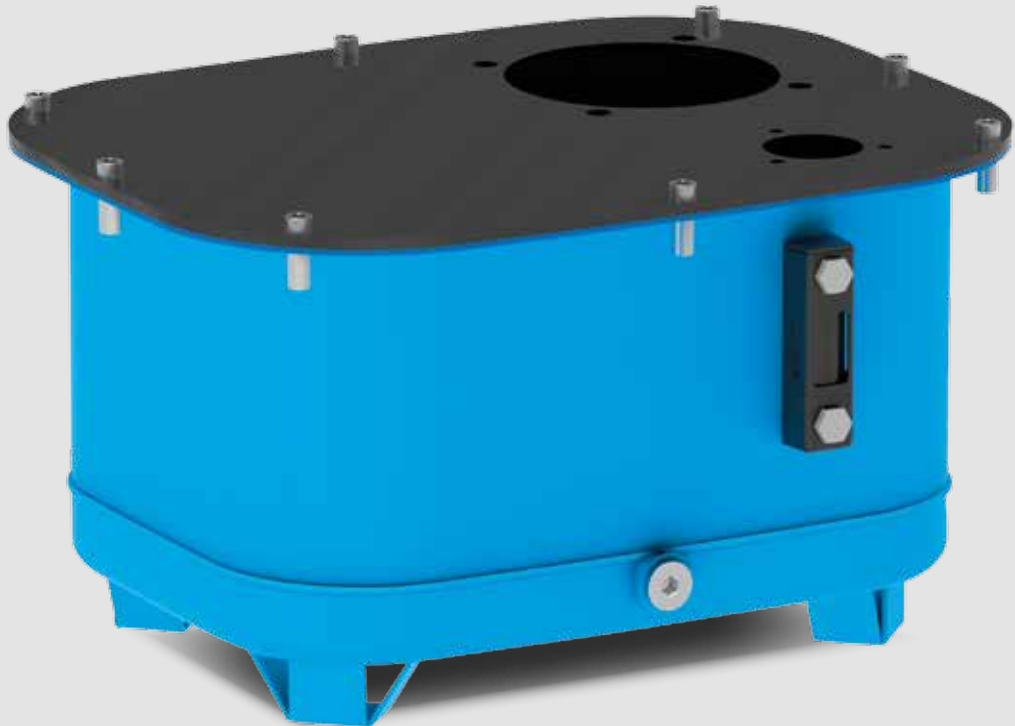
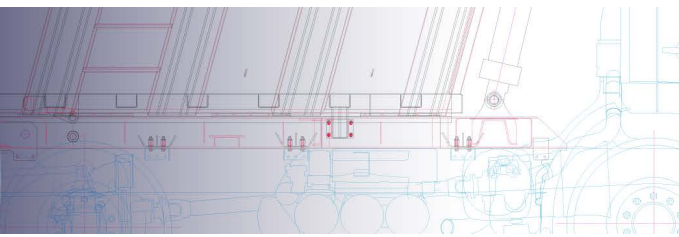


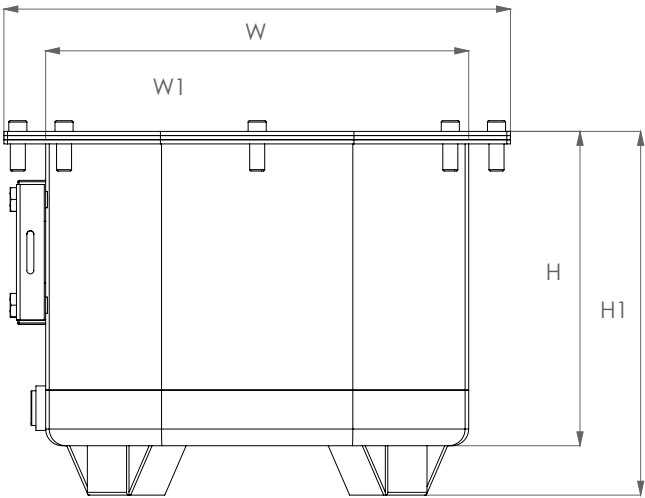
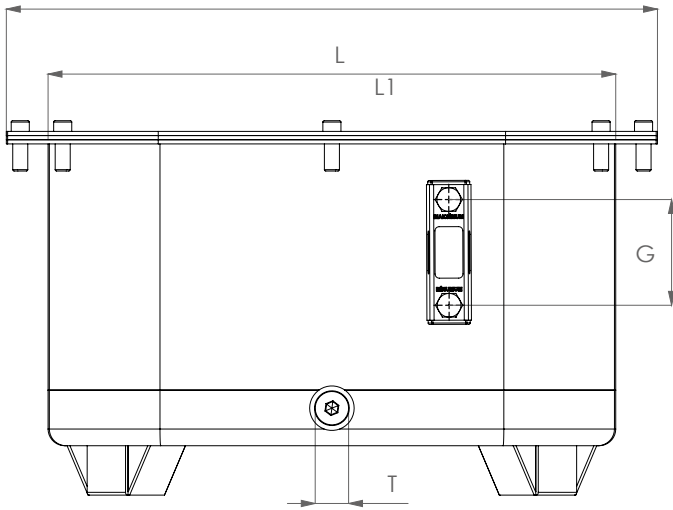
TRUCK & TRAILER BODY PARTS

HYDRAULIK EINHEIT TANKS





ÖLTANKS/HYDRAULIK EINHEIT TANKS



Kode	Volumen	H	H1	W	W1	L	L1	G	T
CNC 25	25 Lt.	220	255	304	364	408	468	76mm	G1/2"
CNC 40	40 Lt.	290	325	307	371	507	571	127mm	G1/2"
CNC 70	70 Lt.	350	385	422	485	522	581	127mm	G1/2"
CNC 100	100 Lt.	370	405	563	623	642	702	127mm	G1/2"
CNC 160	160 Lt.	500	535	563	623	642	702	127mm	G1/2"
CNC 250	250 Lt.	490	525	754	855	754	855	254mm	G1/2"