

TRUCK & TRAILER BODY PARTS

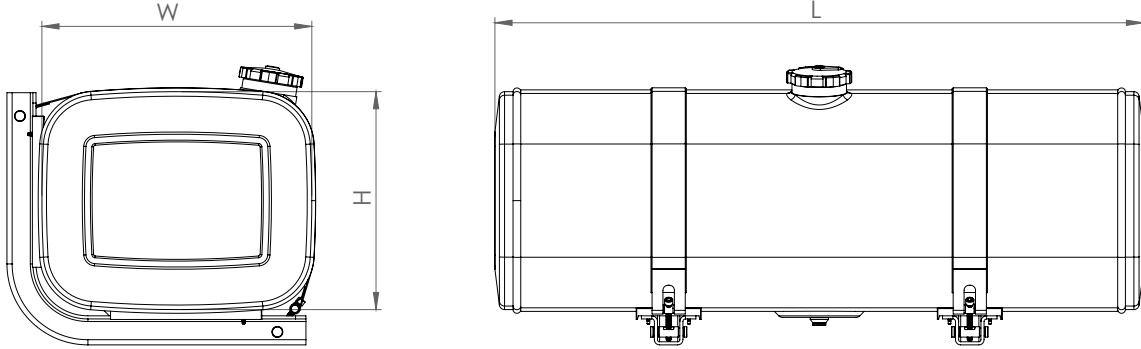
**STEEL  
FUEL  
TANKS**



**42x52**

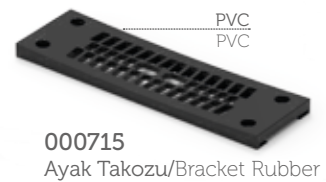
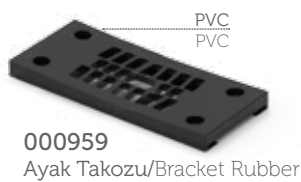


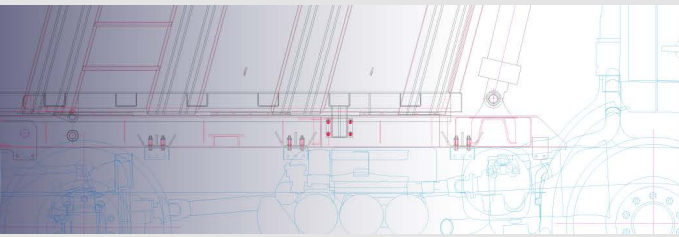
## FUEL TANKS/ METAL FUEL TANKS 42x52



Serial no Seri no	Height/Yükseklik (mm)	Width/Genişlik (mm)	Length/Uzunluk (mm)	Capacity/Hacim (lt.)
CNC 4252 050	420	520	50	90
CNC 4252 085	420	520	850	160
CNC 4252 110	420	520	1100	210
CNC 4252 135	420	520	1350	260
CNC 4252 160	420	520	1600	310
CNC 4252 185	420	520	1850	360

### Montaj Kiti / Mounting Kit





TRUCK & TRAILER BODY PARTS

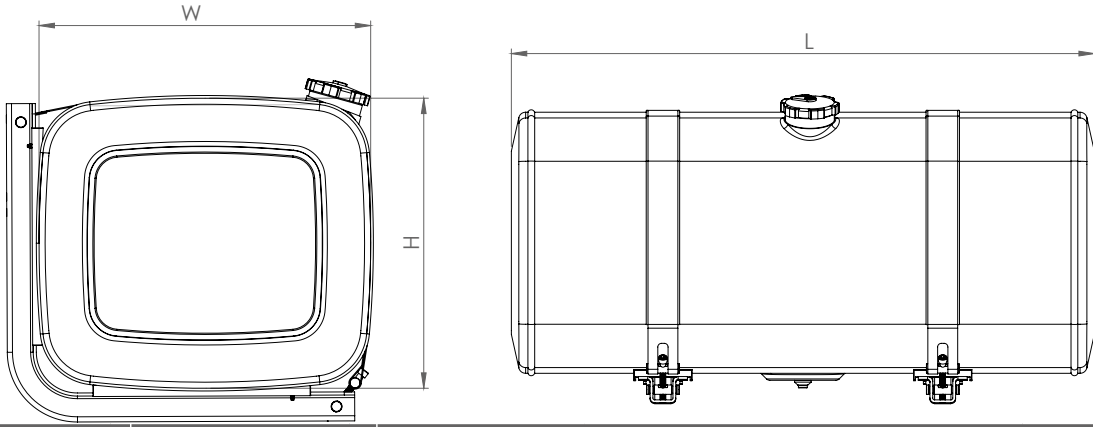
**STEEL  
FUEL  
TANKS**



**56X64**

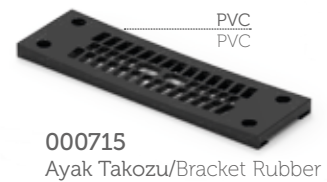


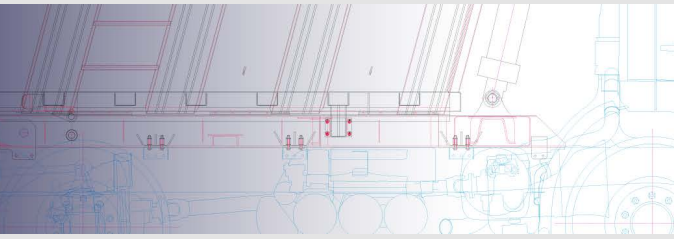
## FUEL TANKS/ METAL FUEL TANKS 56X64



Serial no Seri no	Height/Yükseklik (mm)	Width/Genişlik (mm)	Length/Uzunluk (mm)	Capacity/Hacim (lt.)
CNC 5664 073	560	640	730	230
CNC 5664 094	560	640	940	300
CNC 5664 125	560	640	1250	400
CNC 5664 155	560	640	1550	500
CNC 5664 180	560	640	1800	600
CNC 5664 200	560	640	2000	700

### Montaj Kiti / Mounting Kit





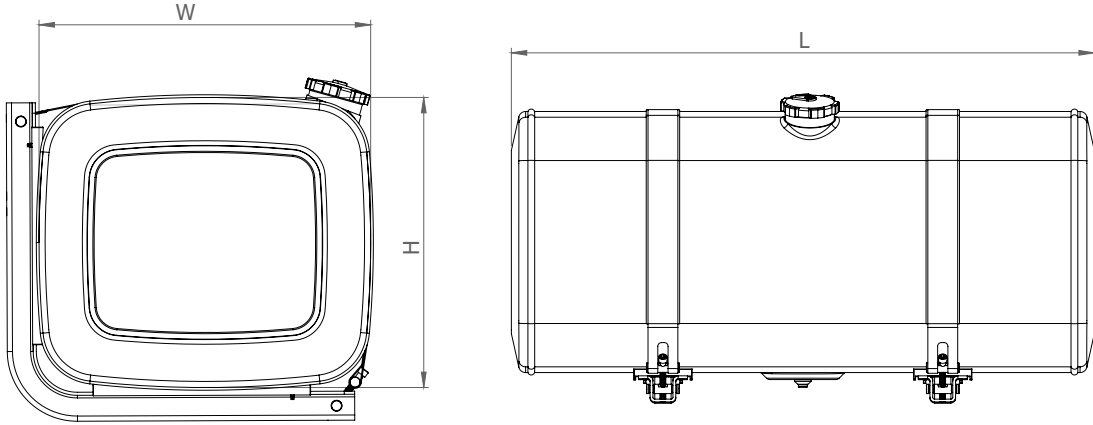
TRUCK & TRAILER BODY PARTS

# STEEL FUEL TANKS

# 62X67

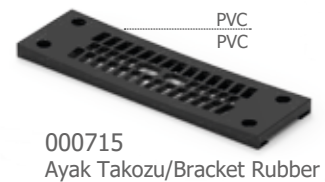


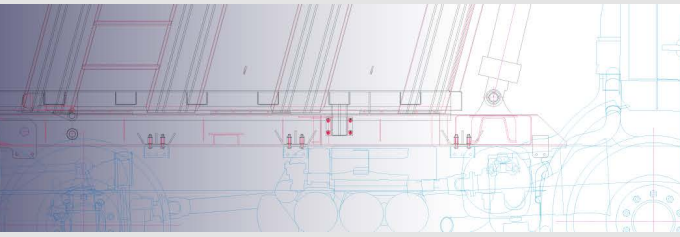
## FUEL TANKS/ METAL FUEL TANKS 62X67



Serial no Seri no	Height/Yükseklik (mm)	Width/Genişlik (mm)	Length/Uzunluk (mm)	Capacity/Hacim (lt.)
CNC 6267 070	620	675	700	250
CNC 6267 082	620	675	820	300
CNC 6267 107	620	675	1070	400
CNC 6267 135	620	675	1350	500
CNC 6267 160	620	675	1600	600
CNC 6267 185	620	675	1850	700
CNC 6267 200	620	675	2000	750
CNC 6267 208	620	675	2080	780
CNC 6267 215	620	675	2150	850

### Montaj Kiti / Mounting Kit





TRUCK & TRAILER BODY PARTS

**STEEL  
FUEL  
TANKS**

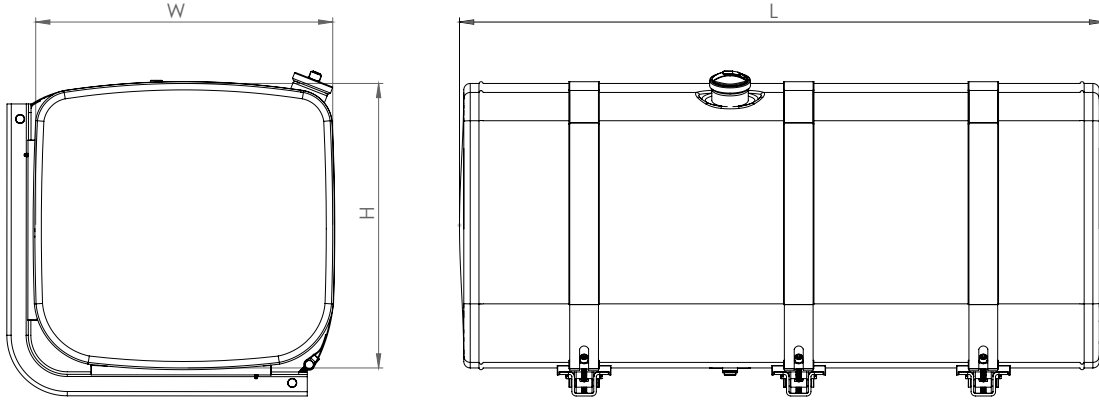


**67X70**



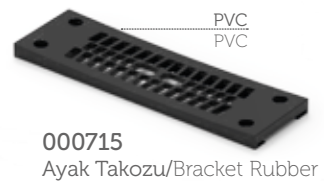
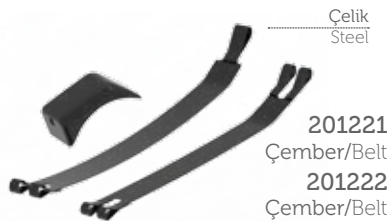


### FUEL TANKS/ METAL FUEL TANKS 67X70

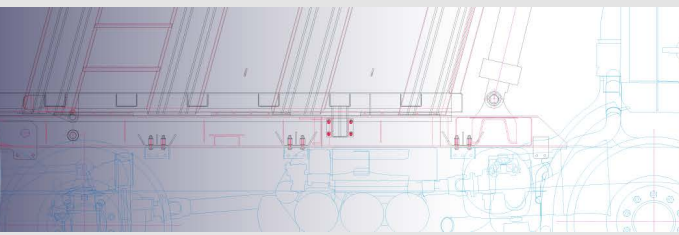


Seri no Serial no	Height/Yükseklik (mm)	Width/Genişlik (mm)	Length/Uzunluk (mm)	Capacity/Hacim (lt.)
CNC 6770 040	670	700	400	150
CNC 6770 050	670	700	500	200
CNC 6770 073	670	700	730	300
CNC 6770 086	670	700	860	350
CNC 6770 100	670	700	1000	400
CNC 6770 119	670	700	1190	465
CNC 6770 126	670	700	1260	500
CNC 6770 151	670	700	1510	600
CNC 6770 162	670	700	1620	700

#### Montaj Kiti / Mounting Kit







TRUCK & TRAILER BODY PARTS

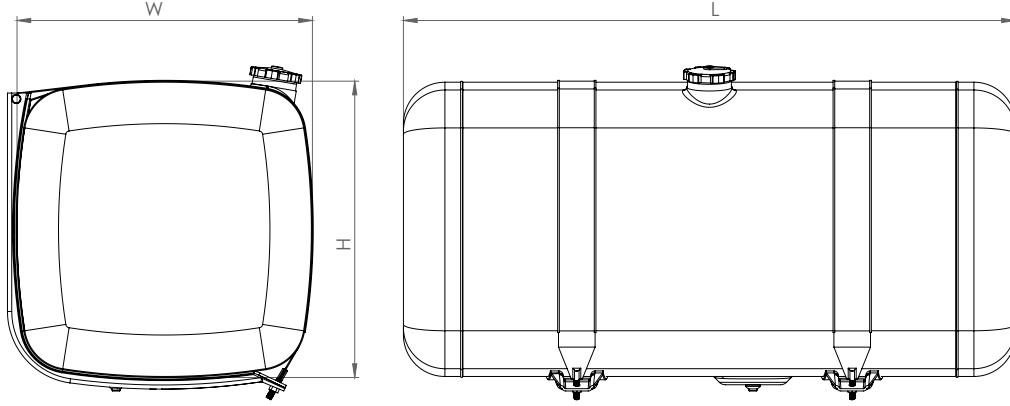
**STEEL  
FUEL  
TANKS**



**69X69**



## FUEL TANKS/ METAL FUEL TANKS 69X69



Serial no Seri no	Height/Yükseklik (mm)	Width/Genişlik (mm)	Length/Uzunluk (mm)	Capacity/Hacim (lt.)
CNC 6969 065	690	690	650	280
CNC 6969 076	690	690	760	300
CNC 6969 090	690	690	900	400
CNC 6969 107	690	690	1070	450
CNC 6969 123	690	690	1230	550
CNC 6969 150	690	690	1500	650
CNC 6969 175	690	690	1750	780
CNC 6969 200	690	690	2000	900
CNC 6969 225	690	690	2250	1000

### Montaj Kiti / Mounting Kit

