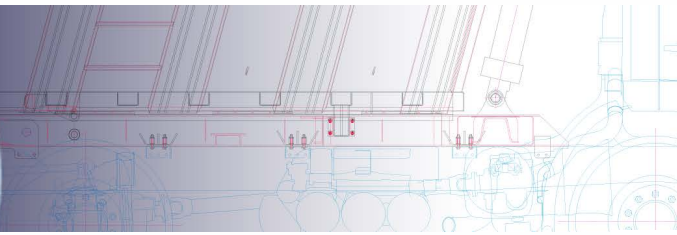


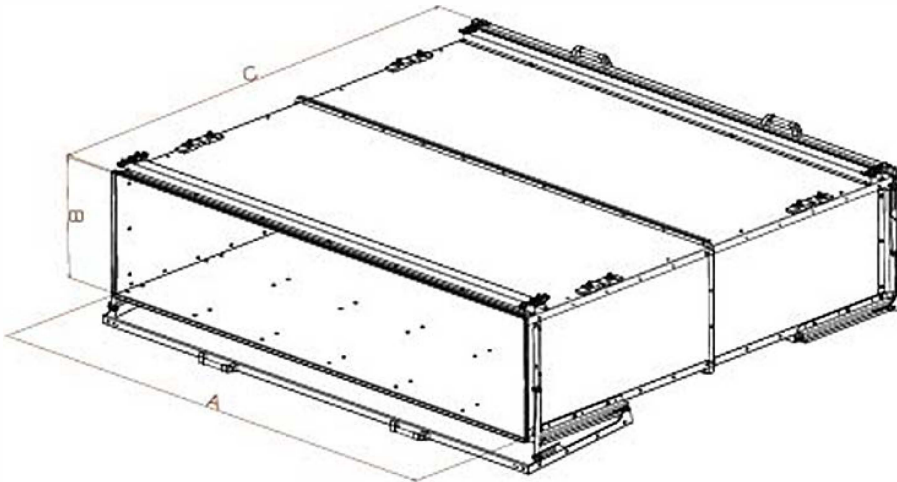
TRUCK & TRAILER BODY PARTS

PALLET BOX





TRAILER BODY PARTS/PALET BOX



CODE/KOD	A _(MM)	B _(MM)	C _(MM)
CNC25045244	2500	450	2440
CNC24545244	2450	450	2440
CNC26359244	2630	590	2440
CNC32254.5244	3220	545	2440
CNC34340244	3430	400	2440
CNC26354.5244	2630	545	2440
CNC26340244	2630	400	2440
CNC18559244	1850	590	2440
CNC12240244	1220	400	2440
CNC31070244	3100	700	2440
CNC32059244	3200	590	2440
CNC24659244	2460	590	2440
CNC34345244	3430	450	2440
CNC24059244	2400	590	2440

TECHNICAL FEATURES

- Two locks, two handles.
- Key lock can be fitted.
- Water and dust proof seal on body.
- Can be fixed to car with 8 pcs support bracket. Lids are white painted, body is unpainted.
- Lid can be stainless according to demand.