

TRUCK & TRAILER BODY PARTS

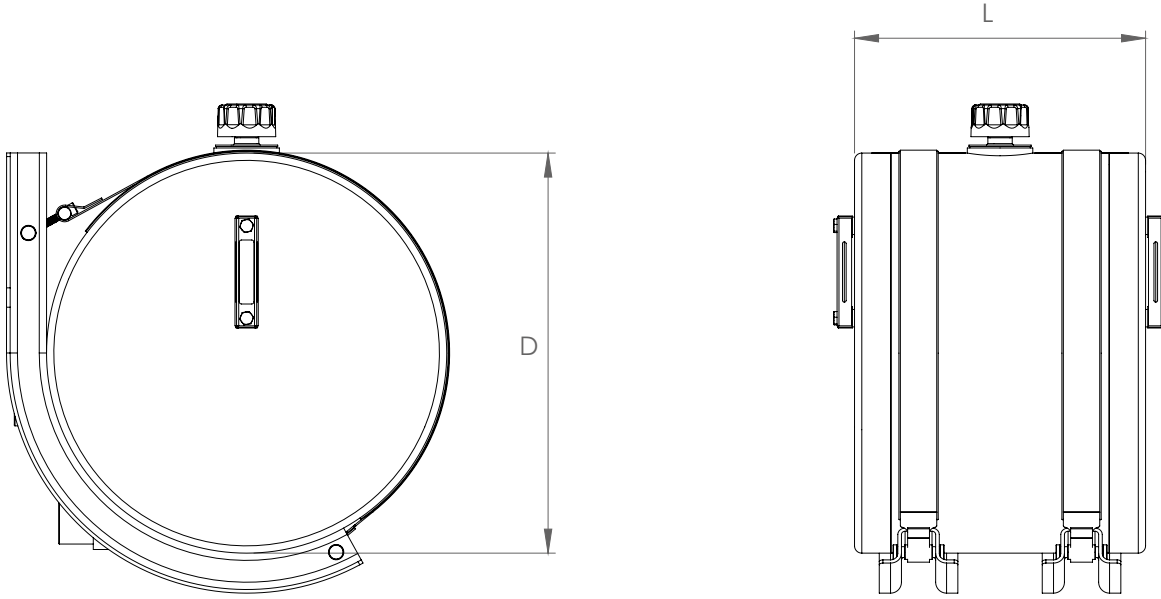
**STEEL
OIL
TANKS**



**Ø400
SIDE MOUNTED
ROUND**



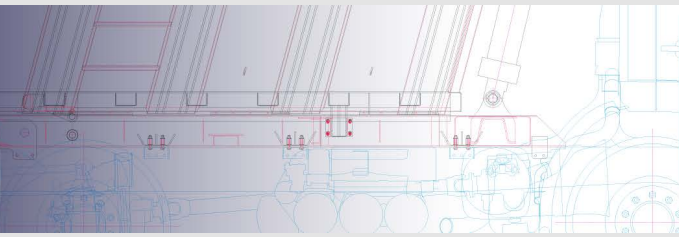
OIL TANKS/ STEEL OIL TANKS/ SIDE MOUNTED ROUND Ø400



Serial no Seri no	Diameter /Çap (mm)	Length/Uzunluk (mm)	Capacity/Hacim (lt.)
CNC 400 035	Ø400	350	40
CNC 400 050	Ø400	500	60
CNC 400 065	Ø400	650	80
CNC 400 080	Ø400	800	100
CNC 400 100	Ø400	1000	120

Montaj Kiti / Mounting Kit



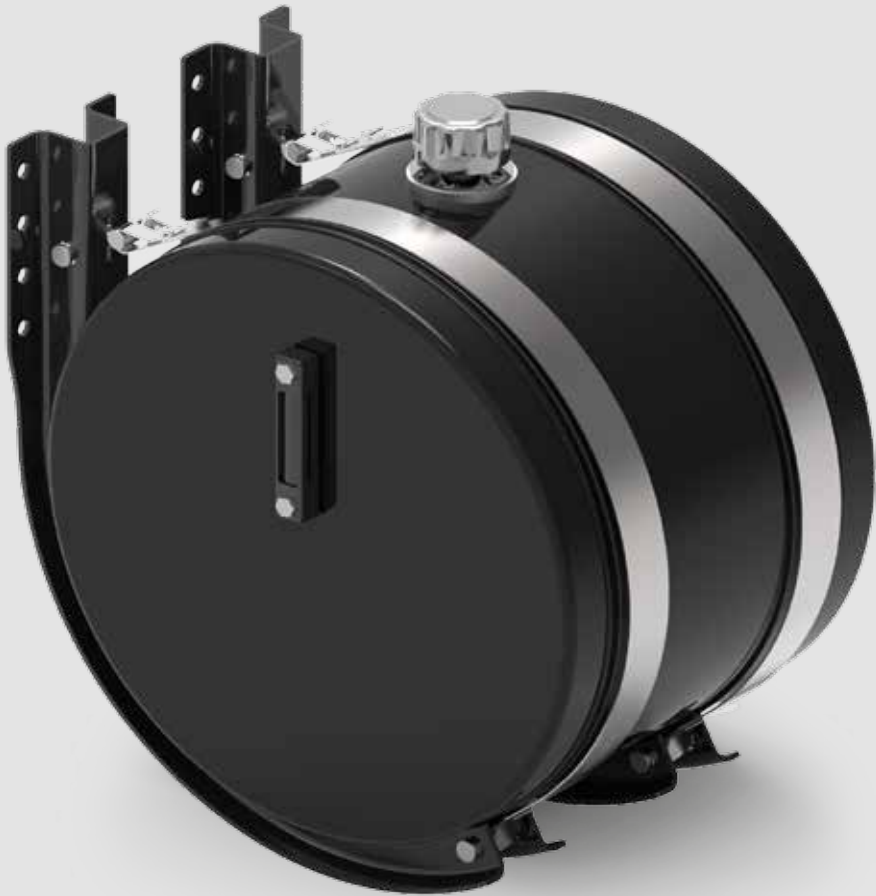


TRUCK & TRAILER BODY PARTS

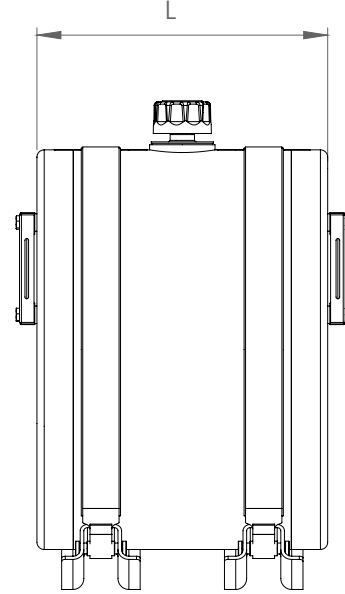
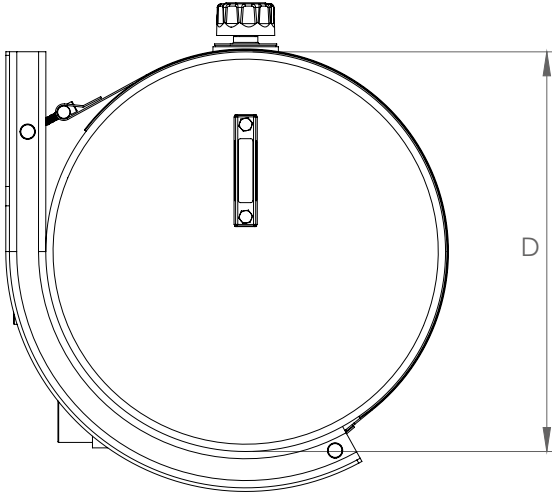
**STEEL
OIL
TANKS**



**Ø550
SIDE MOUNTED**

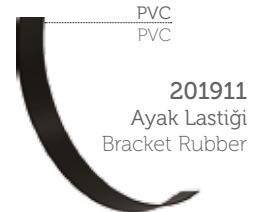


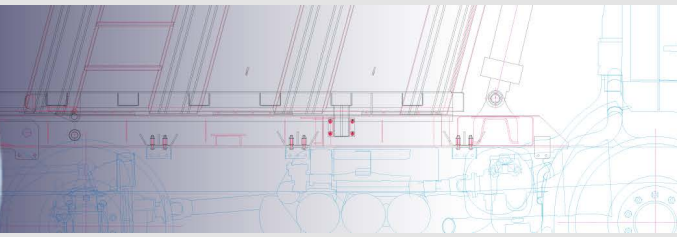
OIL TANKS/ STEEL OIL TANKS/ SIDE MOUNTED ROUND Ø550



Serial no Seri no	Diameter /Çap (mm)	Length/Uzunluk (mm)	Capacity/Hacim (lt.)
CNC 550 027	Ø550	270	60
CNC 550 035	Ø550	350	80
CNC 550 052	Ø550	520	120
CNC 550 065	Ø550	650	150
CNC 550 085	Ø550	850	200

Montaj Kiti / Mounting Kit





TRUCK & TRAILER BODY PARTS

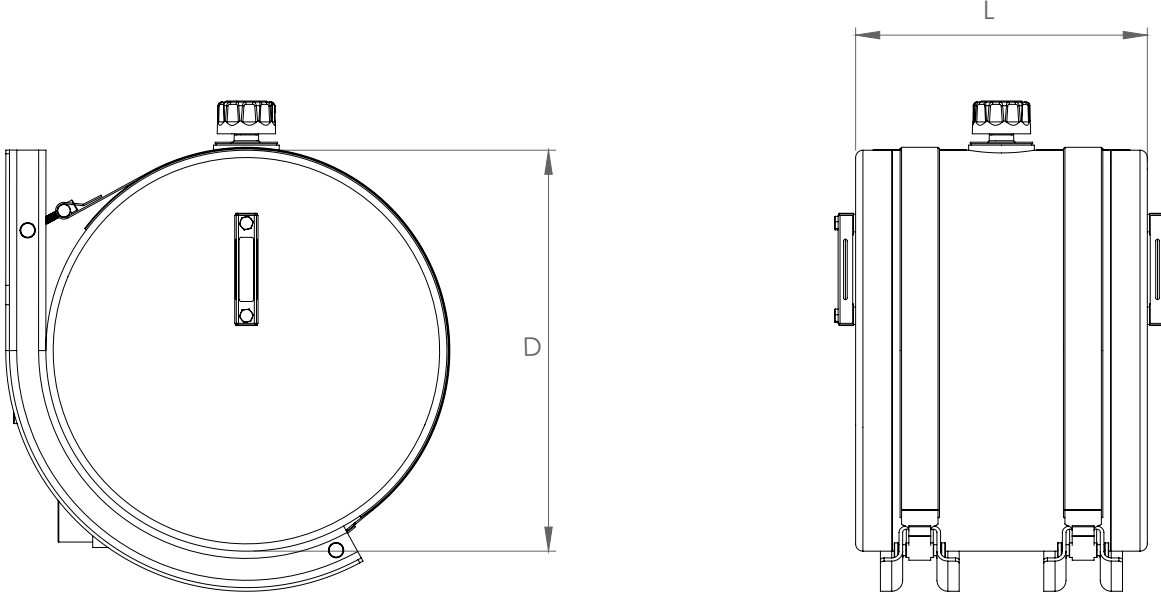
**STEEL
OIL
TANKS**



**Ø620
SIDE MOUNTED**



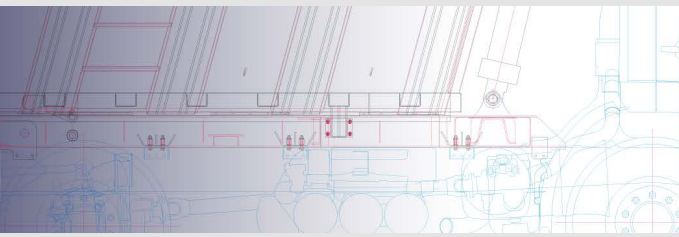
OIL TANKS/ STEEL OIL TANKS/ SIDE MOUNTED ROUND Ø620



Serial no Seri no	Diameter /Çap (mm)	Length/Uzunluk (mm)	Capacity/Hacim (lt.)
CNC 620 045	Ø620	450	130
CNC 620 055	Ø620	550	160
CNC 620 070	Ø620	700	200
CNC 620 077	Ø620	770	230
CNC 620 085	Ø620	850	250

Montaj Kiti / Mounting Kit





TRUCK & TRAILER BODY PARTS

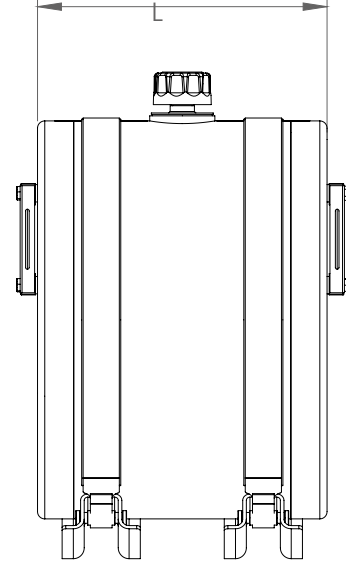
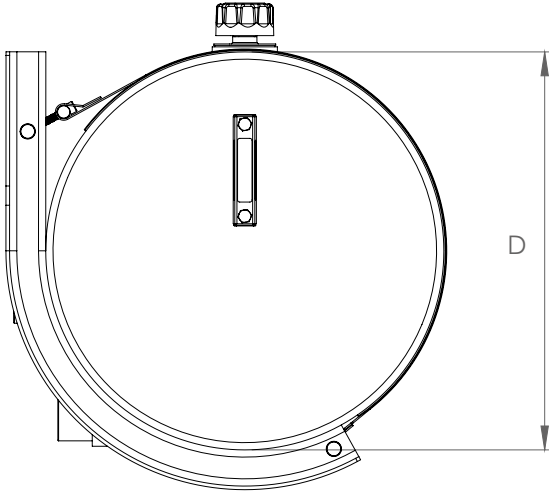
**STEEL
OIL
TANKS**



**Ø660
SIDE MOUNTED**



OIL TANKS/ STEEL OIL TANKS/ SIDE MOUNTED ROUND Ø660



Serial no Seri no	Diameter /Çap (mm)	Length/Uzunluk (mm)	Capacity/Hacim (lt.)
CNC 660 045	Ø660	450	150
CNC 660 055	Ø660	550	180
CNC 660 065	Ø660	650	220
CNC 660 075	Ø660	750	250
CNC 660 090	Ø660	900	300

Montaj Kiti / Mounting Kit

