

TRUCK & TRAILER BODY PARTS

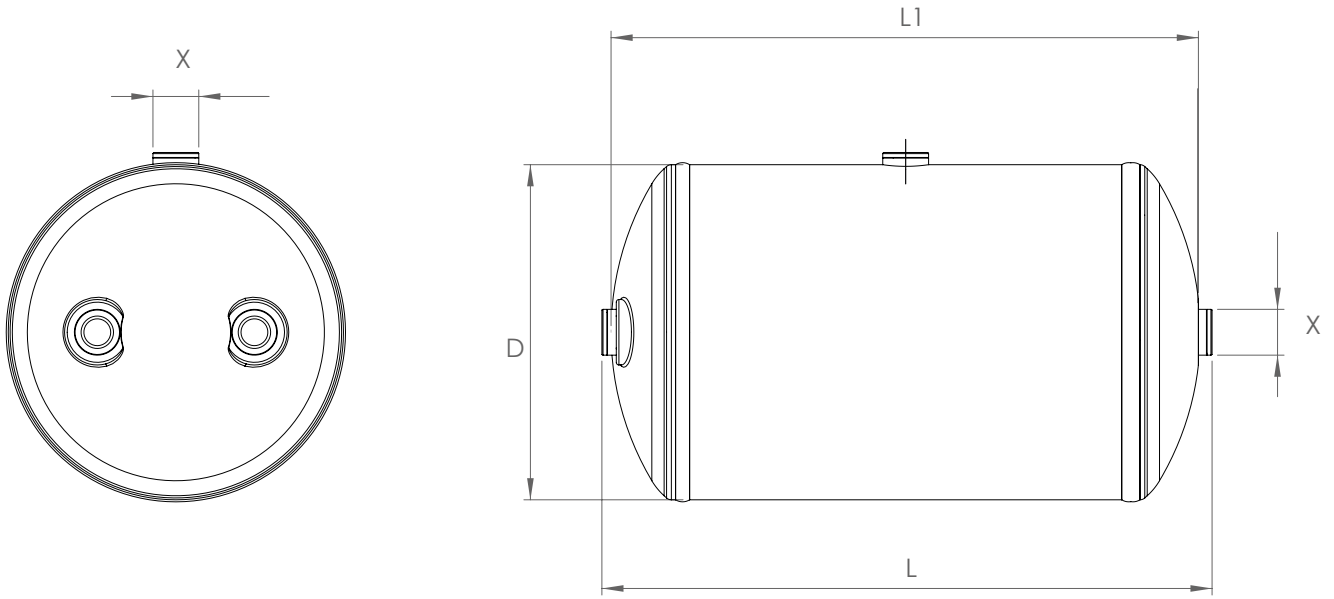
**STEEL  
AIR  
TANKS**



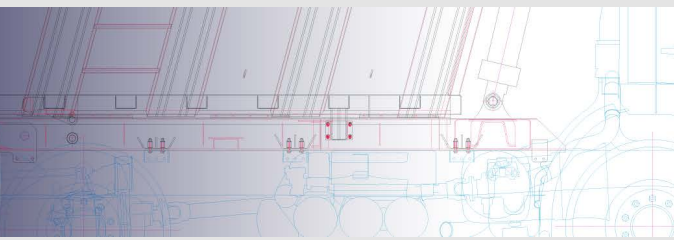
**Ø246**



## AIR TANKS/STEEL AIR TANKS Ø246



Serial no Seri no	Capacity Hacim (lt)	Diameter/Çap (mm)	L	L1	X	Weight/Ağırlık (Kg)
CNC 246 020	20	246	515	493	M22X1,5	7,2
CNC 246 025	25	246	621	599	M22X1,5	8,5
CNC 246 030	30	246	731	709	M22X1,5	10
CNC 246 040	40	246	949	927	M22X1,5	12,7



TRUCK & TRAILER BODY PARTS

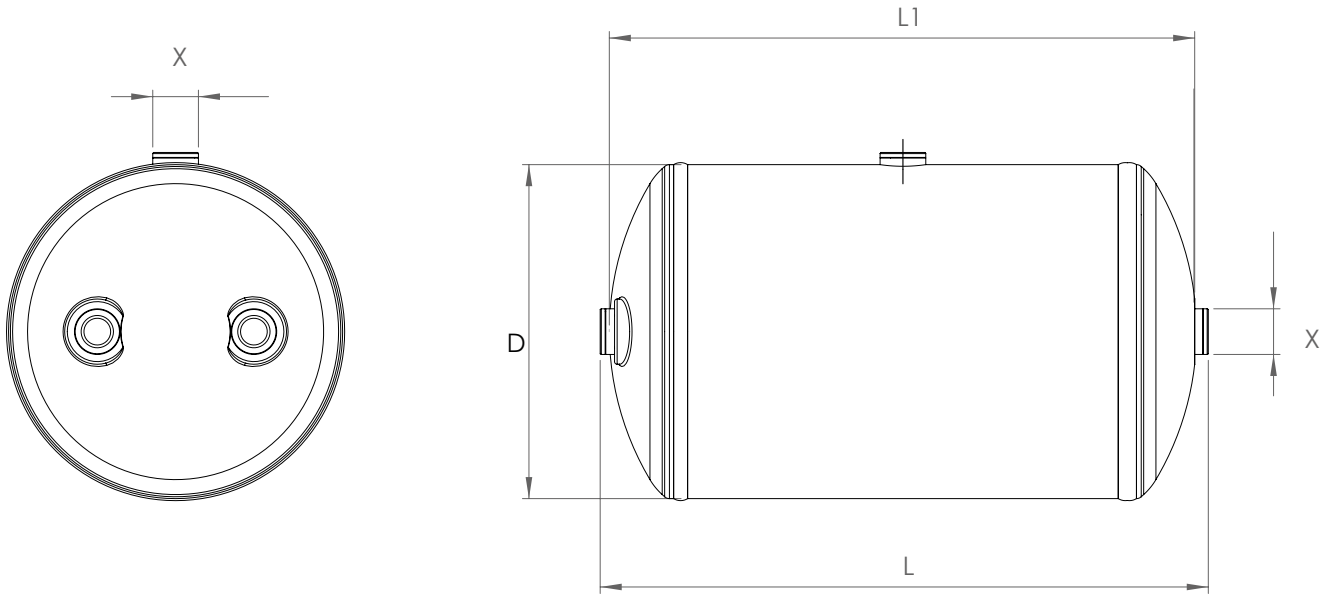
STEEL  
AIR  
TANKS



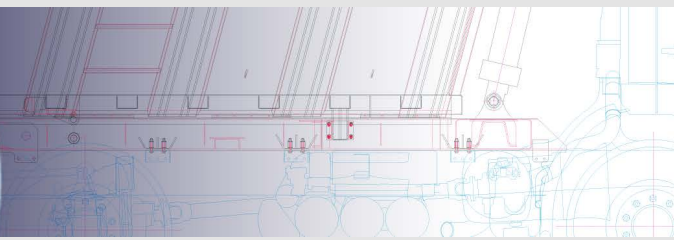
Ø276



## AIR TANKS/ STEEL AIR TANKS Ø276



Serial no Seri no	Capacity Hacim (lt)	Diameter/Çap (mm)	L	L1	X	Weight/Ağırlık (Kg)
CNC 276 020	20	276	436	414	M22X1,5	6,7
CNC 276 030	30	276	605	583	M22X1,5	9
CNC 276 040	40	276	780	758	M22X1,5	11,5



TRUCK & TRAILER BODY PARTS

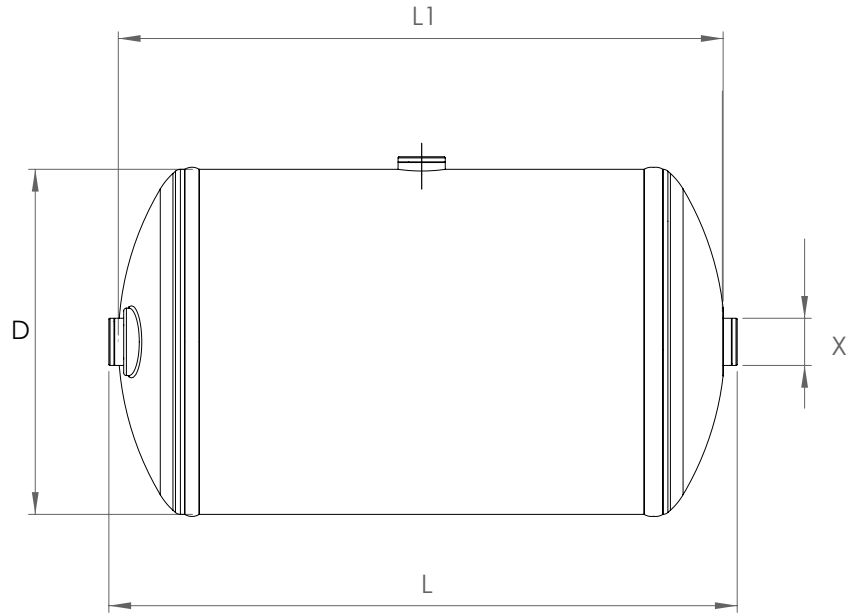
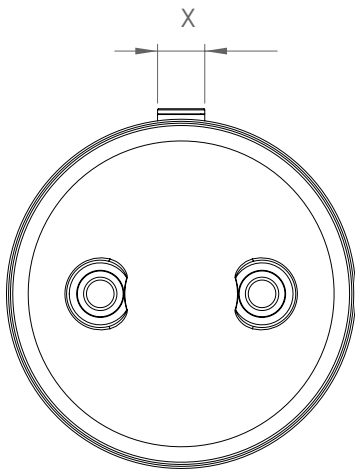
**STEEL  
AIR  
TANKS**



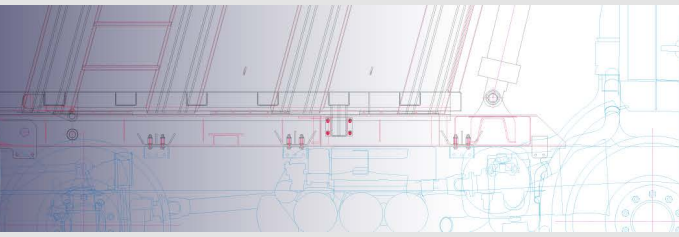
**Ø310**



## AIR TANKS/ STEEL AIR TANKS Ø310



Seri no Serial no	Capacity Hacim (lt)	Diameter/Çap (mm)	L	L1	X	Weight/Ağırlık (Kg)
CNC 310 040	40	310	640	618	M22X1,5	11,2
CNC 310 060	60	310	915	893	M22X1,5	15,5



TRUCK & TRAILER BODY PARTS

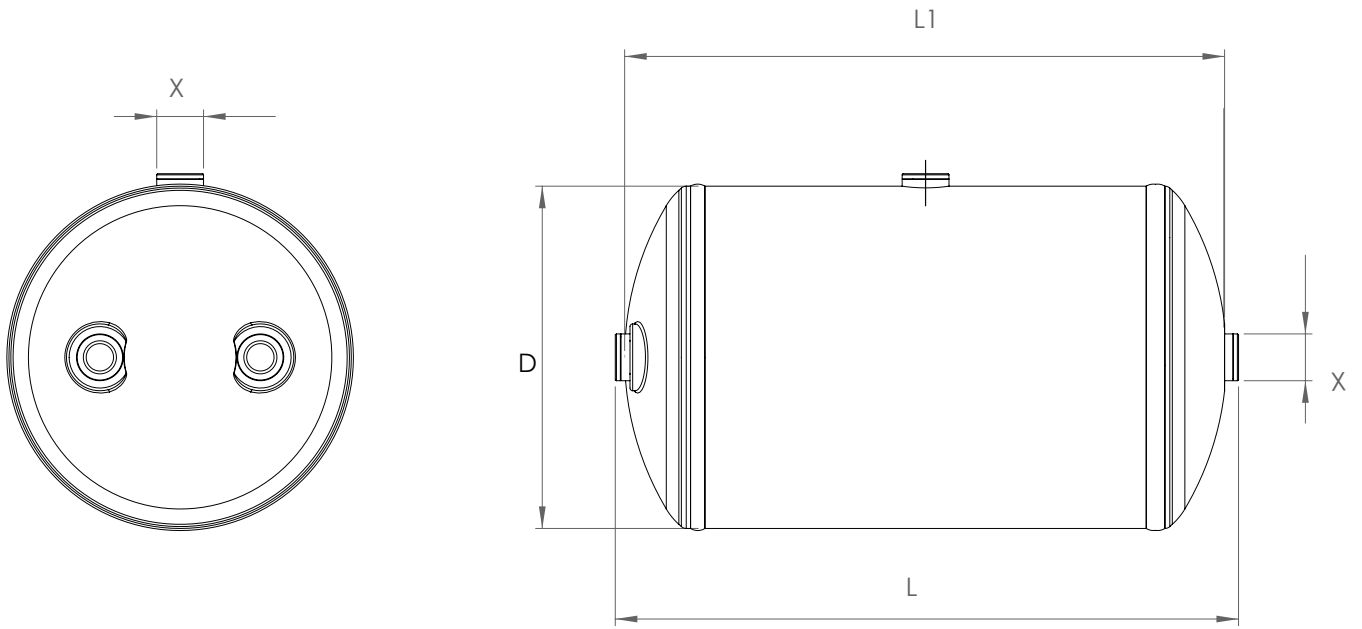
STEEL  
AIR  
TANKS



Ø396



## AIR TANKS/ STEEL AIR TANKS Ø396



Serial no Seri no	Capacity Hacim (lt)	Diameter/Çap (mm)	L	L1	X	Weight/Ağırlık (Kg)
CNC 396 060	60	396	602	580	M22X1,5	13,9
CNC 396 080	80	396	772	750	M22X1,5	20,5
CNC 396 100	100	396	937	915	M22X1,5	23,2